



# MODERN CHANGING TABLE WITH HAMPER & THREE BASKETS

**Assembly Instructions. Adult Assembly Required.  
Read all instructions before using Changing Table.  
This manual is part of the product and  
must be kept for future reference.**



## **MODEL NUMBERS\*:**

02500 White                      02501 Cherry  
02502 Espresso                25033 Gray

## **VERSION CODE\*:**

**3.0/0723/TG**

*\* Model and Version numbers are needed if  
replacement parts are requested*

Find us on  •  **YouTube** *assembly video available at Badger Basket's YouTube channel!*

**FOR REPLACEMENT PARTS:**  
<http://www.badgerbasket.com/parts>

Badger Basket®, PO Box 227, Edgar, WI 54426-0227 USA • **Web:** [www.badgerbasket.com](http://www.badgerbasket.com)  
**U.S. Based Customer Service Toll-Free** (Mon-Thurs 7:00 AM-4:00 PM CST): 1-800-236-1310  
**Phone:** 715-352-2311 • **Fax:** 715-352-3163



**BEFORE YOU BEGIN ASSEMBLY:**  
Check all parts. If anything is missing or not satisfactory, please **DO NOT** call the store or return the product to them. Please go online to:  
**<http://www.badgerbasket.com/parts>**  
Most problems are resolved without you needing to leave home.  
When emailing or calling us, please have this instruction manual, your product model number, and your Version Code ready.  
**Your Model Number is: SEE COVER PAGE**  
**Your Version Code is: 3.0/0723/TG**

**USE AND CARE INSTRUCTIONS:**

Wipe the table, pad, and safety belt clean with a damp cloth and mild soap as needed.

Dry thoroughly. Spot clean baskets as needed. Do not immerse baskets in water.



**ASSEMBLY TIPS!** Review the entire manual before beginning. Leave hardware slightly loose during assembly and then go back and tighten fully at the end. If using a power screwdriver, keep torque setting low and go slow to prevent damage to the product.



**WARNING**

ADULT ASSEMBLY REQUIRED - TWO PERSON RECOMMENDED.  
KEEP OUT OF REACH OF CHILDREN UNTIL ASSEMBLY IS COMPLETE.



**WARNING - FAILURE TO FOLLOW THESE WARNINGS AND THE INSTRUCTIONS COULD RESULT IN SERIOUS INJURY OR DEATH**

**READ ALL INSTRUCTIONS** before use of this product.

Keep instructions for future use. Use only the parts and hardware provided by Badger Basket®. Do not use the product if it is damaged, broken, or missing parts. **DO NOT** allow anyone to climb, sit on, stand on, or play on or inside of this product. It is not a seat, step stool, or ladder. **Periodically check** to make sure all the hardware remains tight. No product is a replacement for adult supervision.



# WARNING

**FALL HAZARD:** Children have suffered serious injuries after falling from changing tables. Falls can happen quickly.

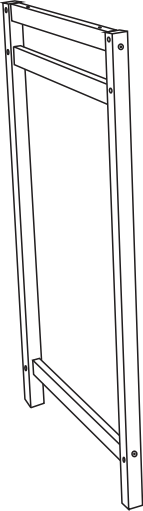
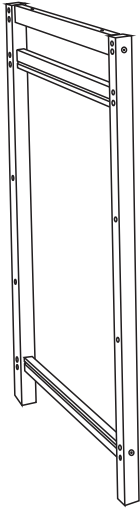
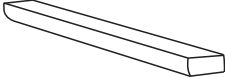




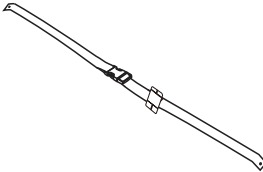



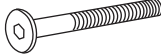

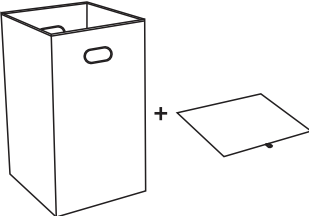
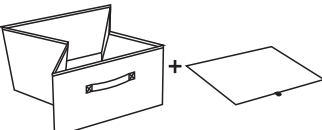



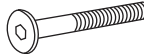
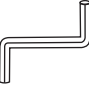
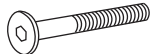



- **STAY** within arm's reach of your child.
- **READ ALL INSTRUCTIONS** before use of this changing table.
- **DO NOT** use the changing table if it is damaged, broken, or missing any parts.
- The baby's **maximum weight** for use of this product is **30 pounds** (13.64 kg).
- This manual is part of the product. **KEEP INSTRUCTIONS for future use.**
- **NEVER** use the changing table without the safety belt properly installed.
- **ALWAYS** use the safety belt and keep at least one hand on Baby at all times.
- **ALWAYS** secure the changing pad to the changing surface by placing it onto the top shelf under the safety belt as shown in this manual.
- **This product is not intended to be used as a changing table without the top safety rails, included changing pad, and safety belt installed.** Use of the product without this may result in death or serious injury to your child from falling. Follow all instructions on attaching and using the safety rails, changing pad, and safety belt.
- **NEVER** leave your baby unattended, not even for a moment, when you are changing Baby's diaper or dressing your child on the table.
- Product and/or hardware may include small parts or screws with sharp points. **Choking Hazard!** Keep unassembled parts out of the reach of small children.
- Use only the changing pad, parts, and hardware provided by Badger Basket.
- **DO NOT** allow children or pets to climb on or play on the table.
- **Periodically check** to make sure all the bolts and screws remain tight and **regularly** retighten the bolts as needed.
- Keep child's skin/body clear of the safety belt buckle when snapping/unsnapping to prevent injury.
- Buckle is not securely fastened unless you hear an audible "click" to indicate the parts have connected securely together.
- If adjusting the length of the belt, always pull extra belt slack through the safety clip so that the belt lies flat.
- **NEVER** allow child to stand up on the table due to risk of falls and injury or death.



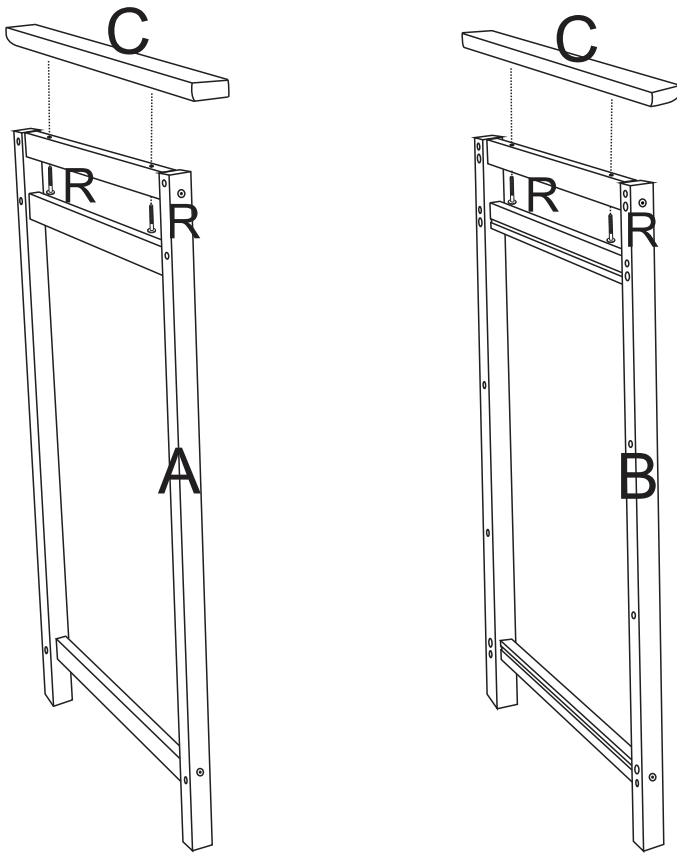
# WARNING

**SUFFOCATION HAZARD:** Babies have suffocated while sleeping on changing pads. Changing pads are not designed for safe sleeping.

- **NEVER** allow Baby to sleep on the changing pad.

 <p><b>Ax1</b> LEFT SIDE PANEL</p>	 <p><b>Bx1</b> RIGHT SIDE PANEL</p>	 <p><b>Cx2</b> SIDE COPINGS</p>	 <p><b>Dx2</b> <b>(DR&amp;DF)</b> TOP RAILS - Rear and Front</p>
 <p><b>Gx2</b> VERTICAL POSTS</p>	 <p><b>H1x2</b> LEFT BASKET TRACKS -TOP/MIDDLE</p>	 <p><b>ITx1</b> TOP SHELF PANEL</p>	 <p><b>Jx1</b> SAFETY BELT</p>
 <p><b>Kx1</b> METAL SUPPORT BAR</p>	 <p><b>H2x2</b> RIGHT BASKET TRACKS -TOP/MIDDLE</p>	 <p><b>IBx1</b> BOTTOM SHELF PANEL</p>	 <p><b>Ox12</b> Ø 6x58mm</p>
 <p><b>Lx1</b> CHANGING PAD</p>	 <p><b>Mx1</b> FOLDING HAMPER &amp; BOTTOM PANEL</p>	 <p><b>Nx3</b> BASKET BODY &amp; BOTTOM PANELS</p>	 <p><b>Px12</b> Ø 6x12mm</p>
 <p><b>Qx2</b> Ø 4x20mm</p>	 <p><b>Sx12</b> PLASTIC PEG</p>	 <p><b>Ux8</b> Ø 6x40mm</p>	 <p>ALLEN WRENCH SAVE THIS WRENCH FOR FUTURE USE!</p>
 <p><b>Rx4</b> Ø 6x45mm</p>	 <p><b>Tx4</b> WOOD PEG</p>	 <p><b>Vx2</b></p>	
		 <p>WRENCH</p>	

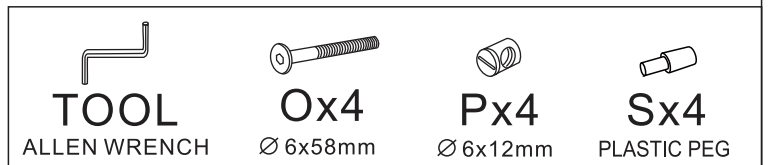
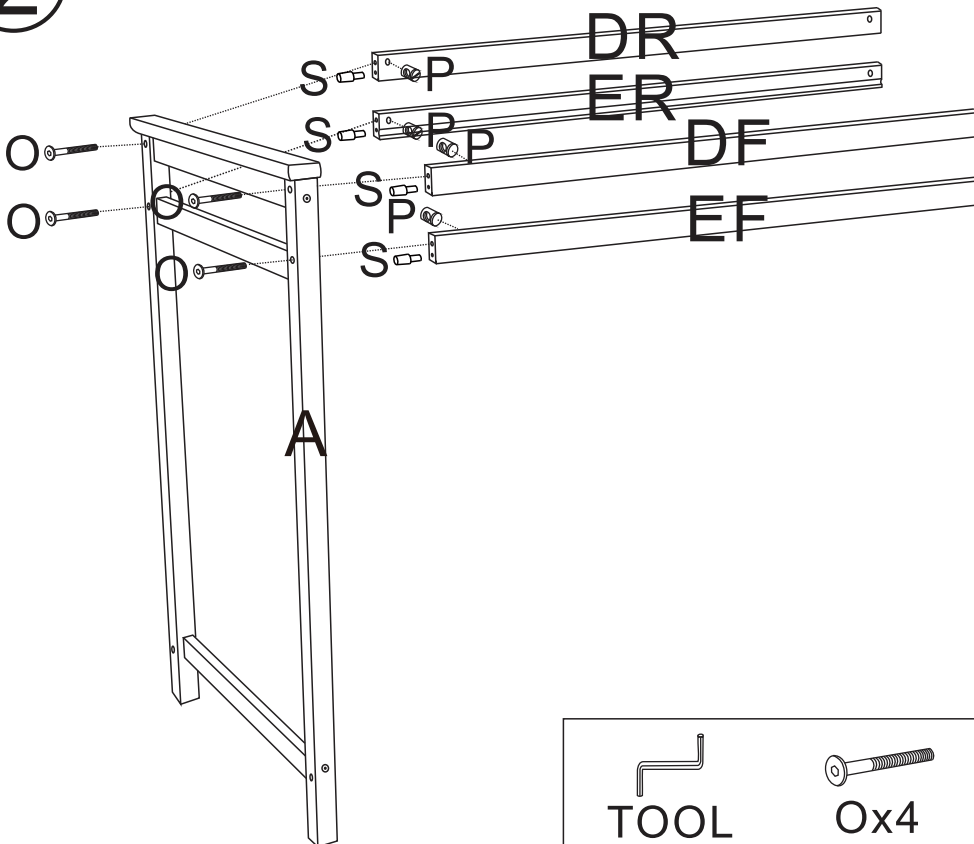
1



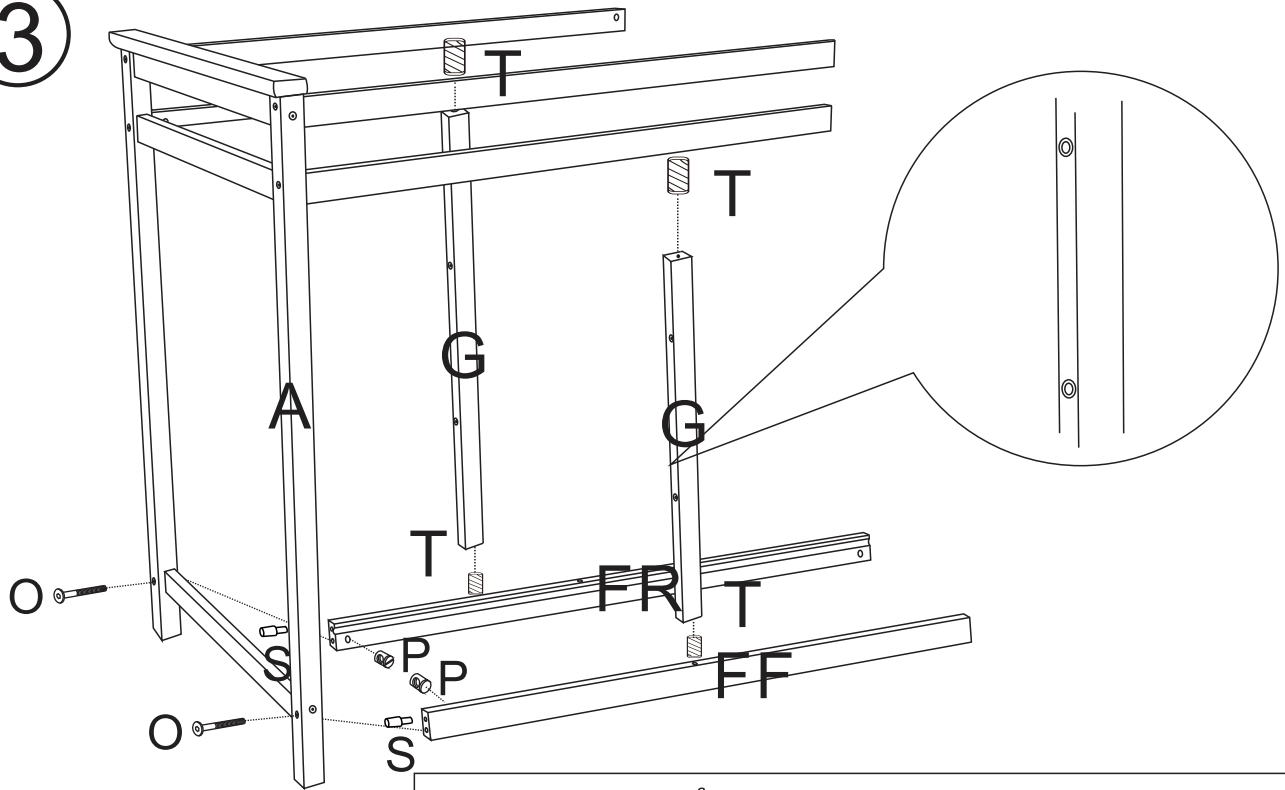
PLEASE REVIEW ALL STEPS PRIOR TO BEGINNING SO YOU WILL BE FAMILIAR WITH ALL PARTS AND THEIR FINAL POSITIONS.



2

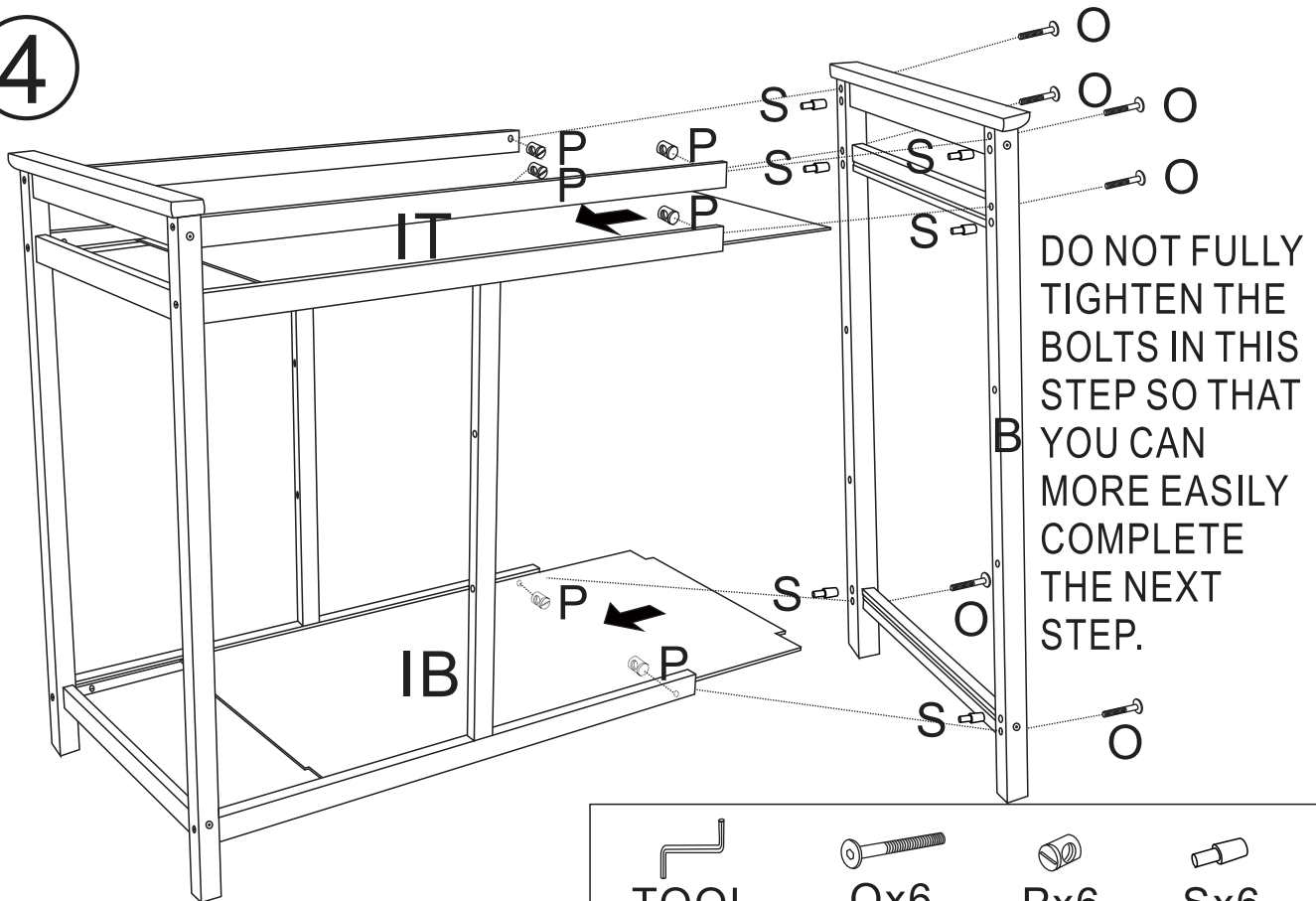


3







				
<b>Tx4</b>	<b>TOOL</b>	<b>Ox2</b>	<b>Px2</b>	<b>Sx2</b>
WOOD PEG	ALLEN WRENCH	Ø 6x58mm	Ø 6x12mm	PLASTIC PEG

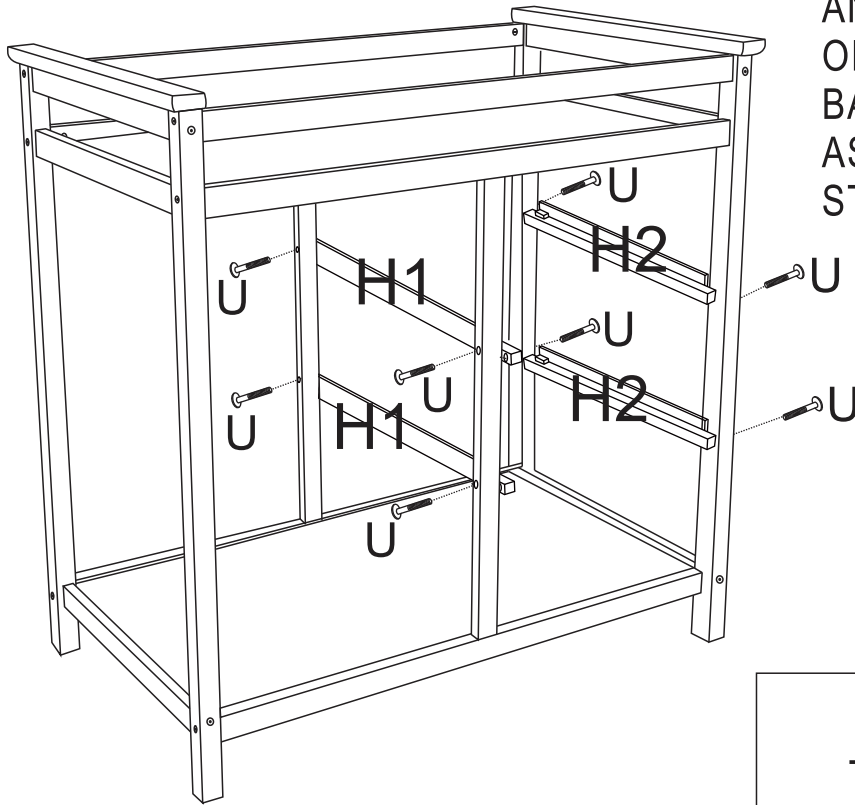
4



DO NOT FULLY TIGHTEN THE BOLTS IN THIS STEP SO THAT YOU CAN MORE EASILY COMPLETE THE NEXT STEP.

			
<b>TOOL</b>	<b>Ox6</b>	<b>Px6</b>	<b>Sx6</b>
ALLEN WRENCH	Ø 6x58mm	Ø 6x12mm	PLASTIC PEG

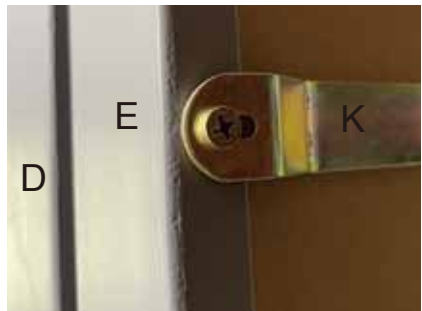
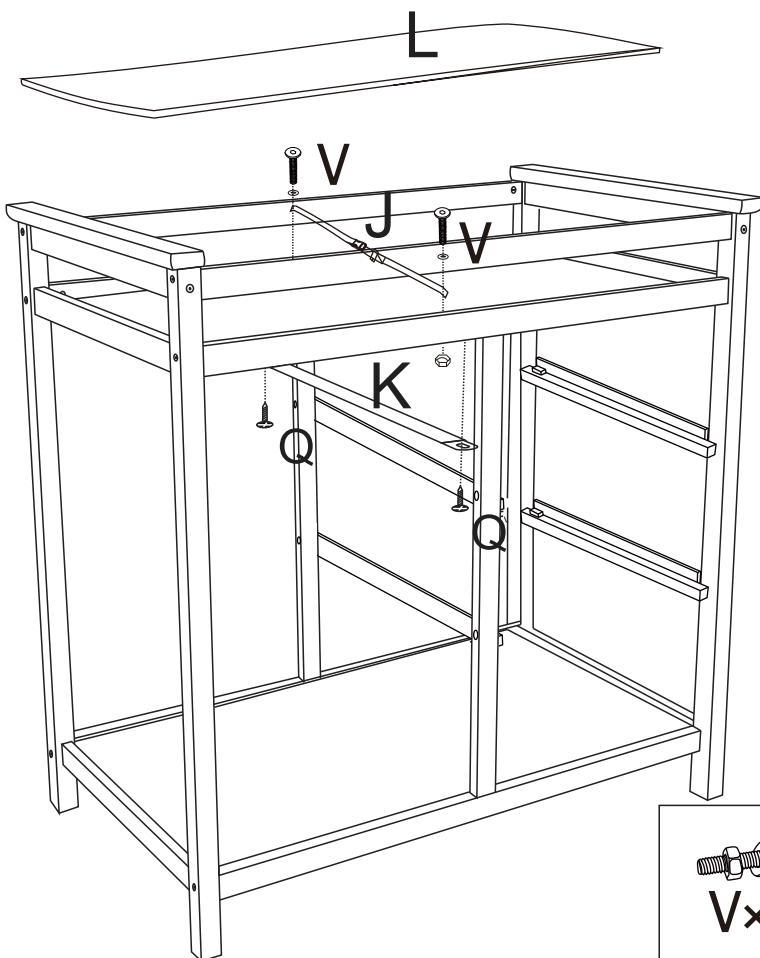
5



AFTER COMPLETING THIS STEP, GO BACK AND TIGHTEN ALL OF THE BOLTS AND BARREL NUTS YOU ASSEMBLED IN STEP 4.

 <b>TOOL</b> ALLEN WRENCH	 <b>Ux8</b> Ø 6x40mm
--	---

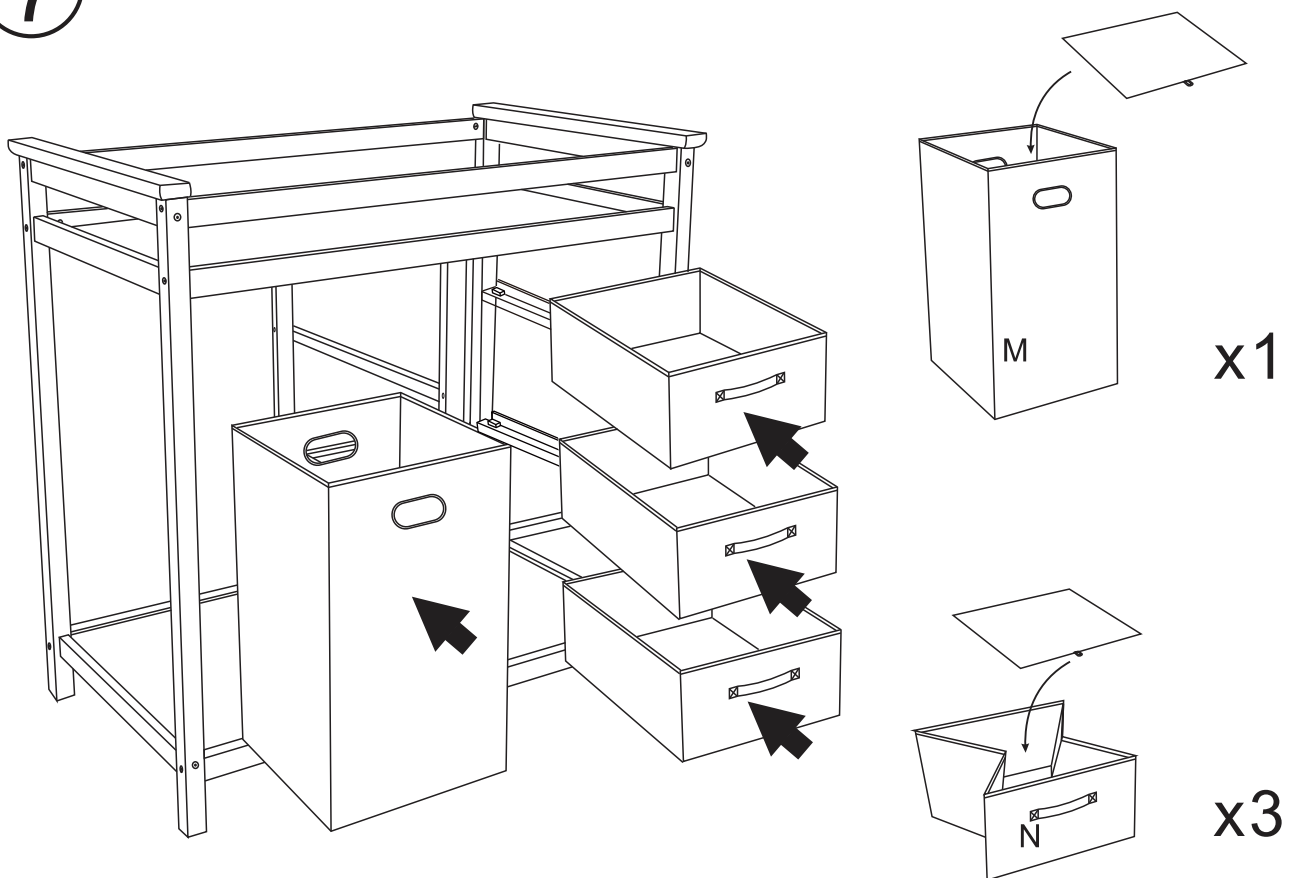
6



 <b>WRENCH</b>
--

 <b>Vx2</b>	 <b>TOOL</b> (NOT INCLUDED)	 <b>Qx2</b> Ø 4x20mm
--	--	---

7



BUCKLE CHILD SECURELY USING THE SAFETY BELT WHENEVER CHILD IS ON THE TABLE. UNCLIP AND SEPARATE THE BUCKLE BY SQUEEZING THE TABS ON THE SIDES TO RELEASE THE BUCKLE TONGUE FROM THE BUCKLE. PLACE CHILD ONTO CHANGING SURFACE AND SNAP THE BUCKLE AND BUCKLE TONGUE BACK TOGETHER. KEEP CHILD'S SKIN/BODY CLEAR OF THE BUCKLE WHEN SNAPPING AND UNSNAPPING TO PREVENT INJURY. BUCKLE IS NOT SECURELY FASTENED UNLESS YOU HEAR AN AUDIBLE "CLICK" TO INDICATE THE PARTS HAVE CONNECTED SECURELY TOGETHER.

NEVER ALLOW CHILD TO STAND UP ON THE TABLE DUE TO RISK OF FALLS AND INJURY OR DEATH. NEVER USE THE TABLE WITHOUT THE SAFETY BELT AND METAL SUPPORT BAR IN PLACE.

ALWAYS SECURE THE CHANGING PAD TO THE CHANGING SURFACE BY PLACING IT ONTO THE TOP SHELF AND ENSURING THAT IT'S UNDERNEATH, NOT ON TOP OF, THE SAFETY BELT.