



# 5 BIN STORAGE CUBBY WITH FEET

**Assembly Instructions. Adult Assembly Required.**  
**Read all instructions before use.**  
**This manual is part of the product and  
must be kept for future reference.**



**MODEL NUMBER\*:**

**98853 - White**

**98854 - Gray**

**VERSION CODE\*:**

**1.0/1023/TG**

*\* Model and Version numbers are needed  
if replacement parts are requested*

Find us on  •  YouTube • 

*Assembly Videos available on YouTube*

**FOR REPLACEMENT PARTS:**  
**<http://www.badgerbasket.com/parts>**

Badger Basket®, PO Box 227, Edgar, WI 54426-0227 USA • **Web:** [www.badgerbasket.com](http://www.badgerbasket.com)  
**U.S. Based Customer Service Toll-Free** (Mon-Thurs 7:00 AM-4:00 PM CST): 1-800-236-1310  
**Phone:** 715-352-2311 • **Fax:** 715-352-3163



## BEFORE YOU BEGIN ASSEMBLY:

Check all parts. If anything is missing or not satisfactory, please **DO NOT** call the store or return the product to them. Please go online to:

<http://www.badgerbasket.com/parts>

Most problems are resolved without you needing to leave home.

When emailing or calling us, please have this instruction manual, your product model number, and your Version Code ready.

**Your Model Number is: SEE COVER PAGE**

**Your Version Code is: 1.0/1023/TG**

### USE AND CARE INSTRUCTIONS:

Wipe storage unit clean with a damp cloth and mild soap as needed. Dry thoroughly.

Do not use acidic cleaners (such as vinegar). Spot clean baskets as needed.

Do not immerse baskets in water. Some soft plastic/rubber toys (such as balls) can react with and cause damage to the finish when left in prolonged contact.

Be mindful of what is stored in the unit and regularly check toys and the unit to prevent damage.



## WARNING

ADULT ASSEMBLY REQUIRED

DUE TO THE PRESENCE OF SMALL PARTS AND SHARP POINTS DURING ASSEMBLY, KEEP OUT OF REACH OF CHILDREN UNTIL ASSEMBLY IS COMPLETE.



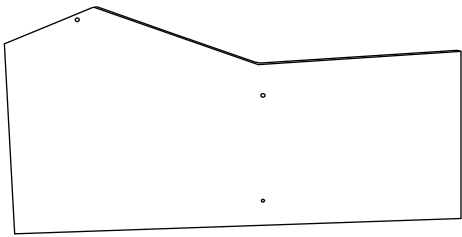
## WARNING - FAILURE TO FOLLOW THESE WARNINGS AND THE INSTRUCTIONS COULD RESULT IN SERIOUS INJURY OR DEATH

**READ ALL INSTRUCTIONS** before use of this product.

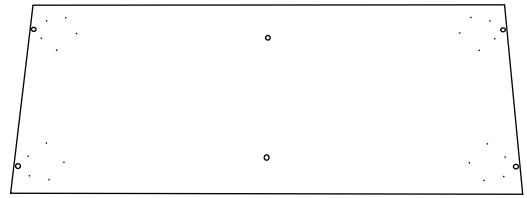
Keep instructions for future use. Use only the parts and hardware provided by Badger Basket®. Do not use the product if it is damaged, broken, or missing parts. **DO NOT** allow anyone to climb, sit on, stand on, or play on or inside of this product. It is not a seat, step stool, or ladder. **Periodically check** to make sure all the hardware remains tight. No product is a replacement for adult supervision.



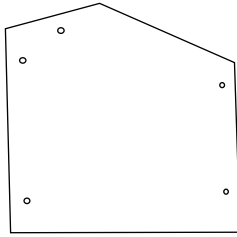
**ASSEMBLY TIPS!** Review the entire manual before beginning. Leave hardware slightly loose during assembly and then go back and tighten fully at the end. If using a power screwdriver, keep torque setting low and go slow to prevent damage to the product.



A  
RIGHT SIDE



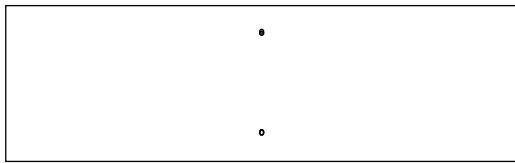
B  
BOTTOM



C  
MIDDLE DIVIDER



D  
BOTTOM FRONT



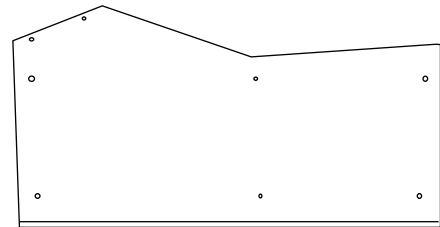
E  
MIDDLE SHELF



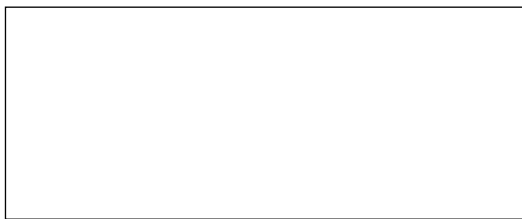
Fx2  
MIDDLE SHELF DIVIDER



G  
BOTTOM BACK



H  
LEFT SIDE



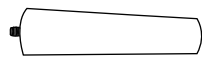
I  
TOP BACK



J  
TOP PANEL



Kx4  
METAL LEG BRACKET



Mx4  
LEG



Ox2  
WOOD PEG



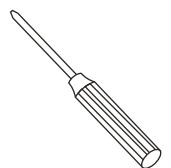
Lx20  
METAL BRACKET SCREW



Nx27  
LONG SCREW



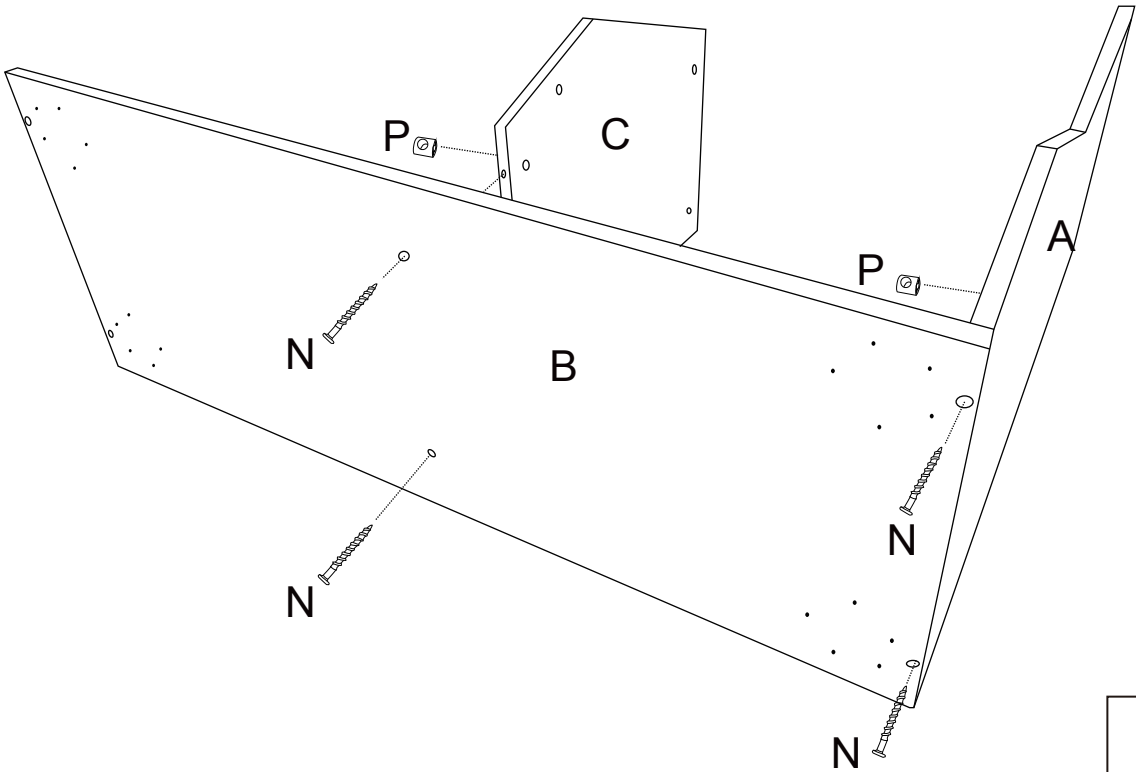
Px27  
PLASTIC INSERT

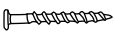


TOOL REQUIRED  
(NOT INCLUDED)

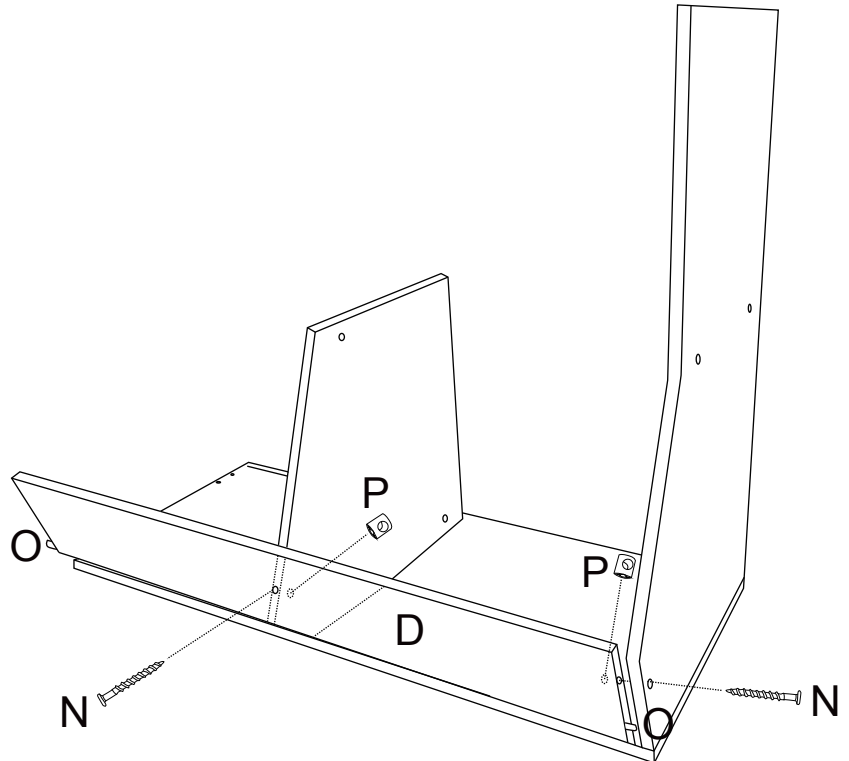
1



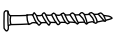
Groove of Part A – Right Side should be facing inside and lined up with groove from Part B – Bottom.



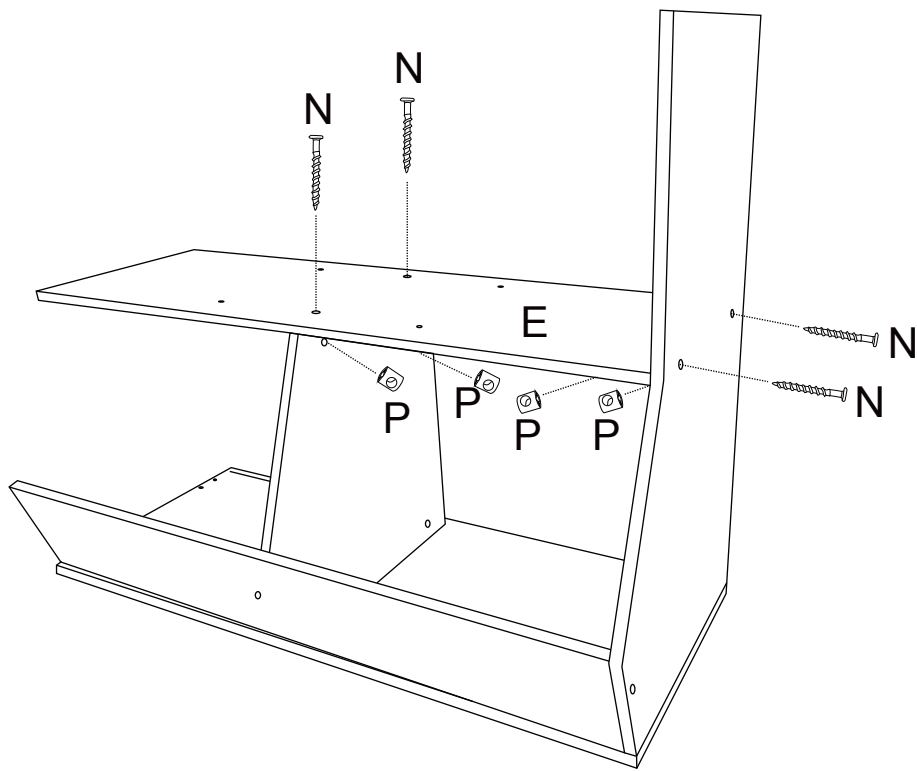
	
P×4	N×4


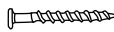
2



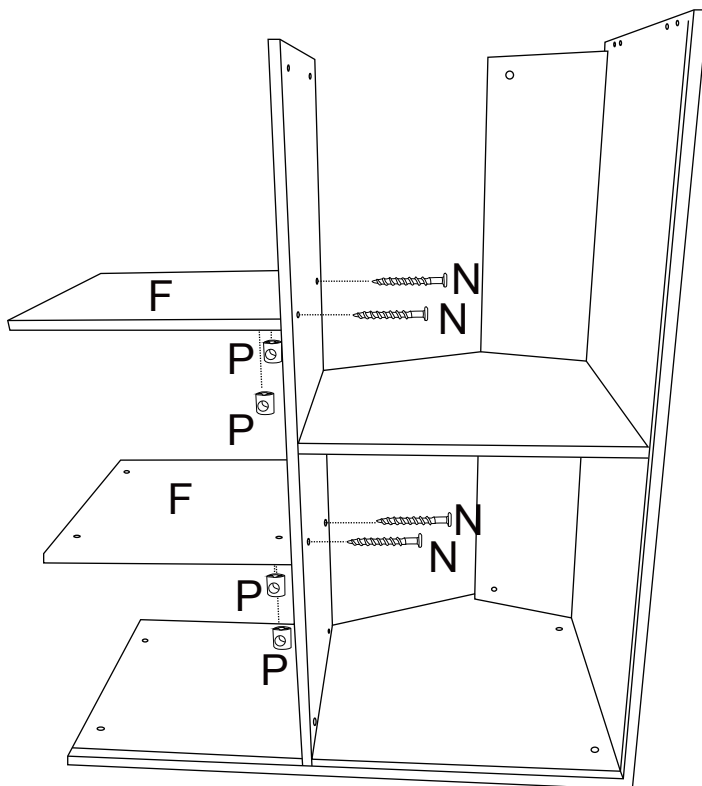
	
	O×2
	
P×2	N×2


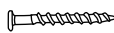
3



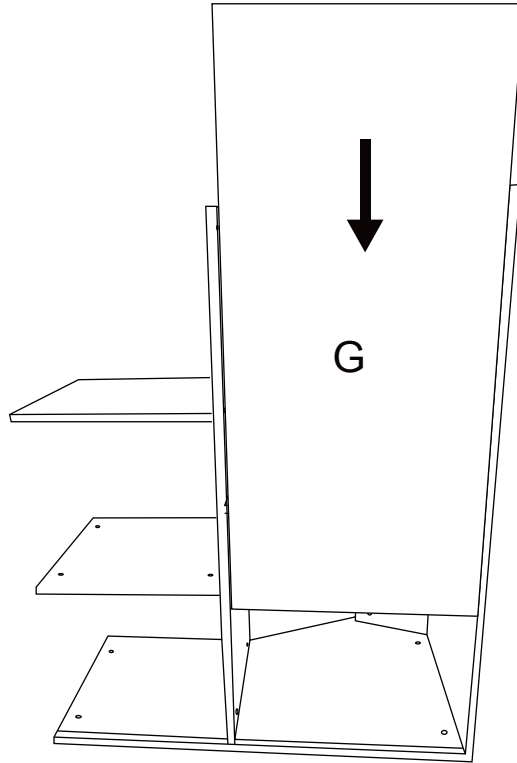
	
P×4	N×4

4

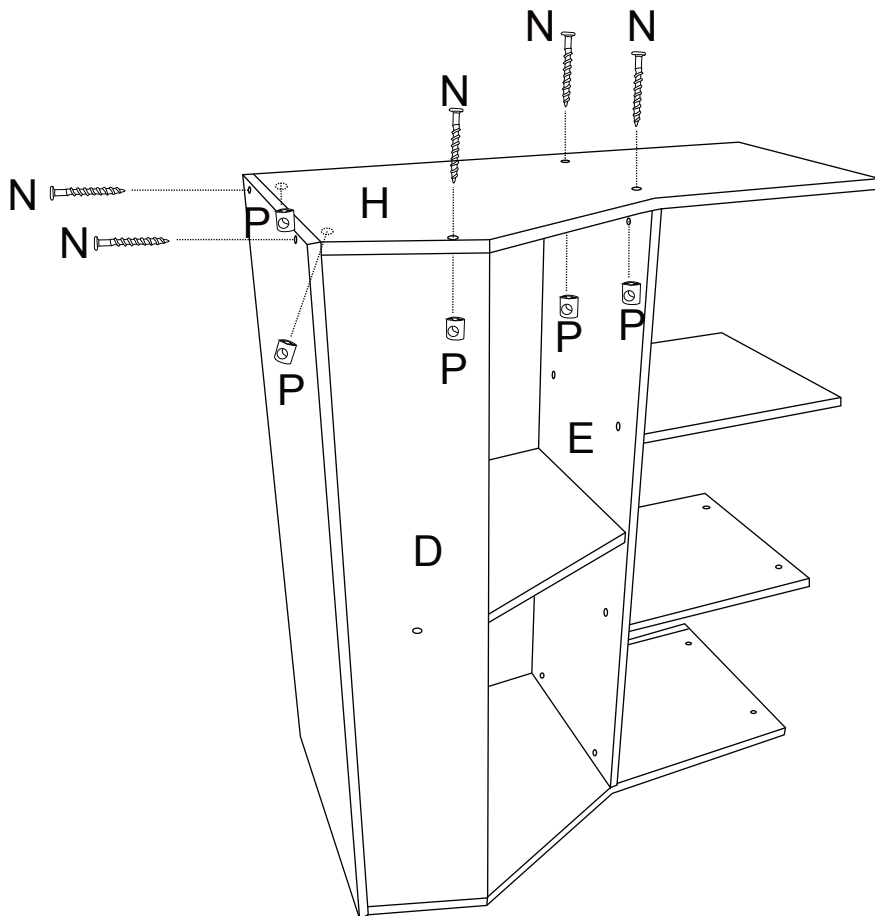




	
P×4	N×4

5

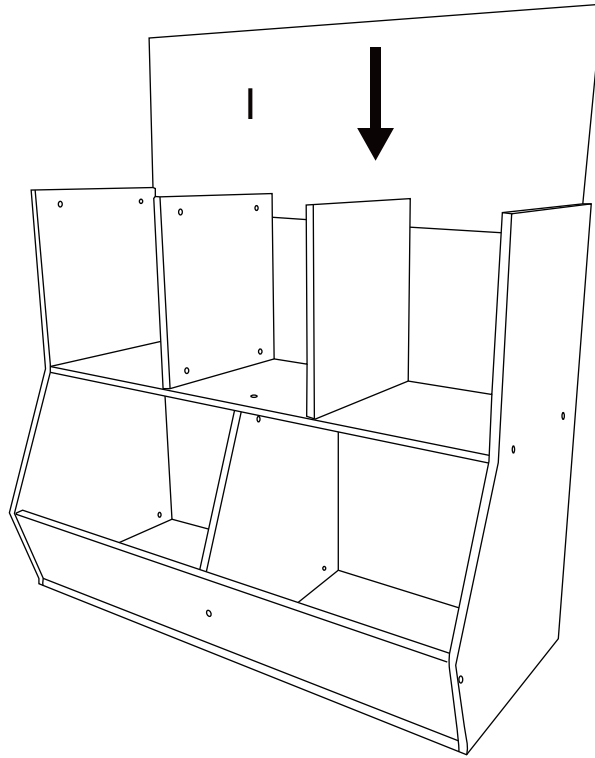


6

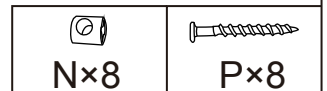
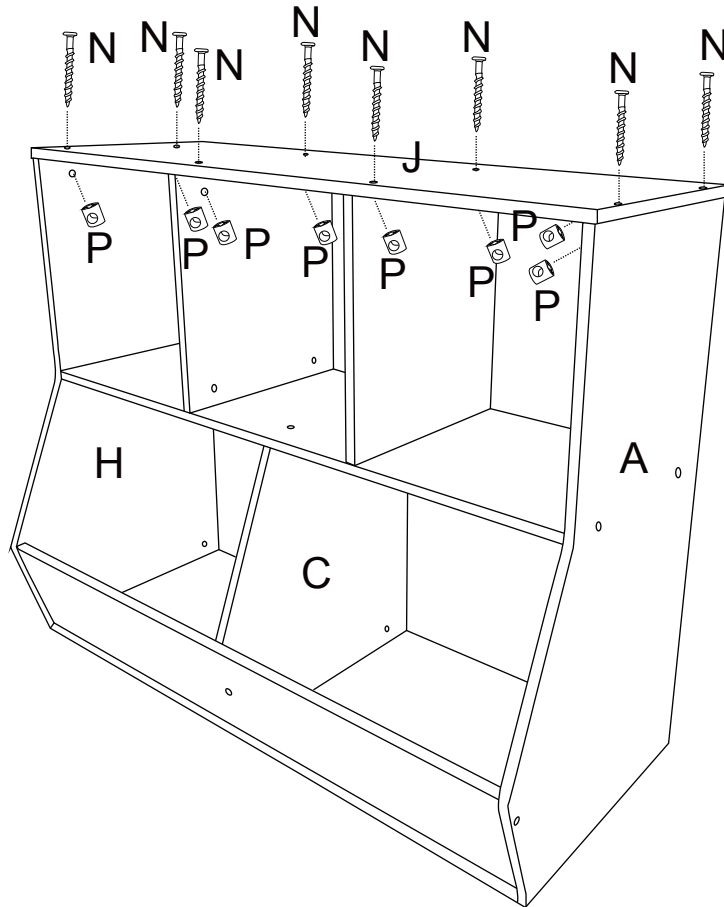


 P×5	 N×5
--	--

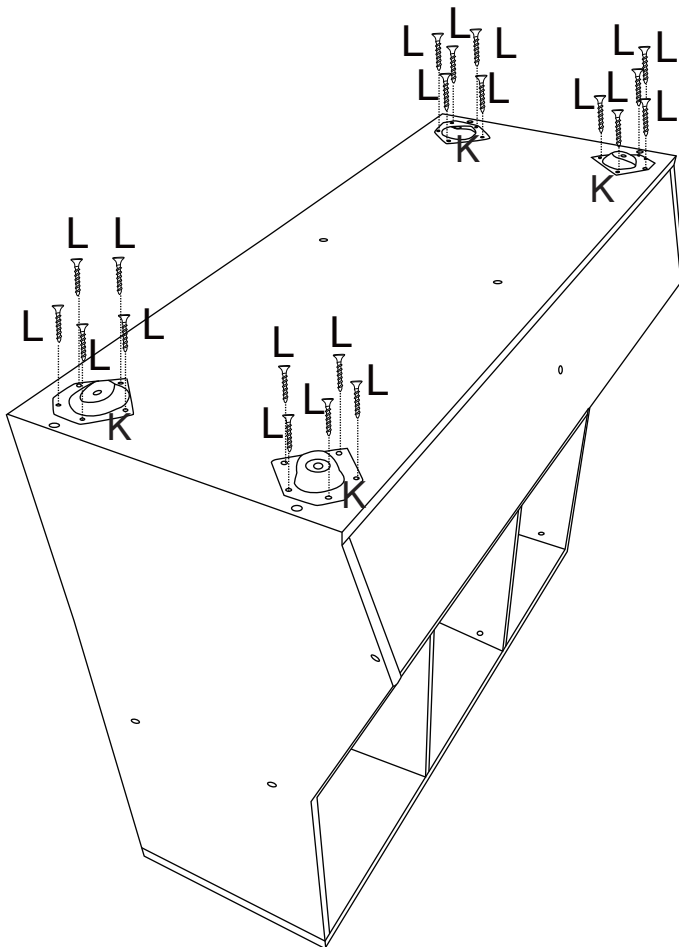
7



8

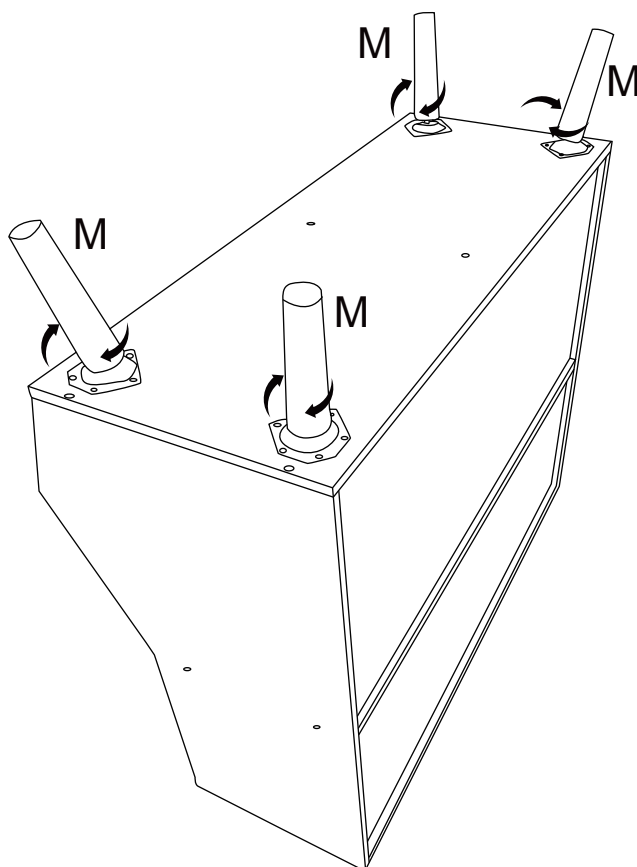


9



 K×4	 L×20
---	---

10





11

