



KID'S STORAGE BENCH WITH CUSHION AND THREE BINS

Assembly Instructions. Adult Assembly Required.
Read all instructions before use.
This manual is part of the product and must be kept for future reference.

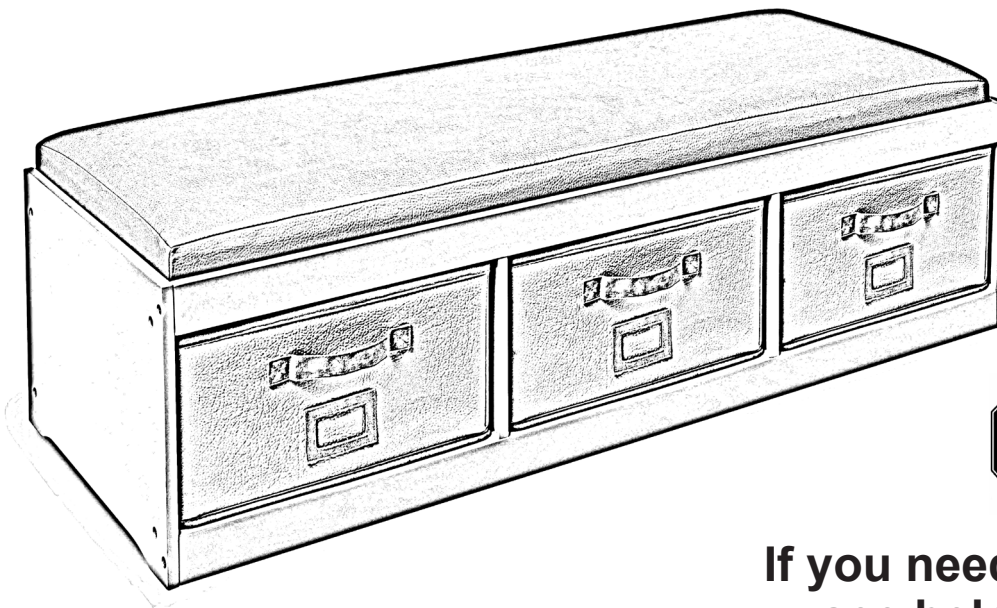
MODEL NUMBERS*:

90900 - White/Pink
90905 - Gray
90910 - Espresso

VERSION CODE*:

2.1/0114/TG

** These numbers are needed if replacement parts are requested*



**If you need product parts,
see below or Page 2!**

FOR REPLACEMENT PARTS:

Go to our web site: <http://www.badgerbasket.com/parts>
Or scan QR code at right with your smartphone





BEFORE YOU BEGIN ASSEMBLY:

Check all parts and hardware. If any part is missing or not satisfactory, please **DO NOT** call the store or return the product to them. Please go online to:

<http://www.badgerbasket.com/parts>

Most problems are resolved without you needing to leave home. When contacting us, please have this instruction manual, your product model number, and your Version Code ready.

Your Model Number is: SEE COVER PAGE

Your Version Code is: 2.1/0114/TG

CARE INSTRUCTIONS:

Wipe the bench clean with a damp cloth and mild soap as needed. Dry thoroughly.
Spot clean the cushion and the bins as needed. Never immerse them in water.



WARNING

ADULT ASSEMBLY REQUIRED
DUE TO THE PRESENCE OF SMALL PARTS AND SHARP POINTS DURING ASSEMBLY, KEEP OUT OF REACH OF CHILDREN UNTIL ASSEMBLY IS COMPLETE.




WARNING - FAILURE TO FOLLOW THESE WARNINGS AND THE INSTRUCTIONS COULD RESULT IN SERIOUS INJURY OR DEATH

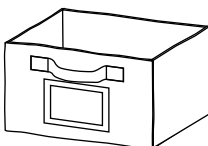
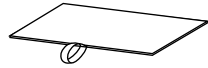
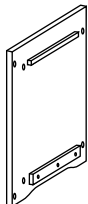
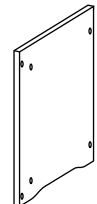
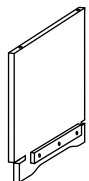




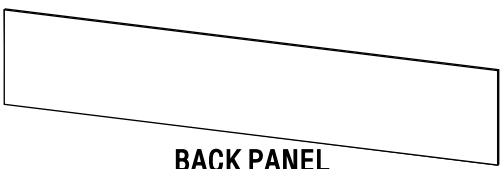
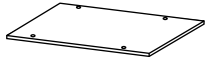

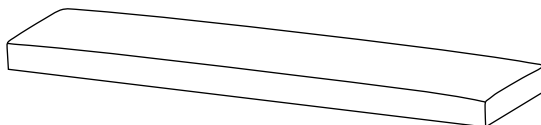

READ ALL INSTRUCTIONS before use of this product.

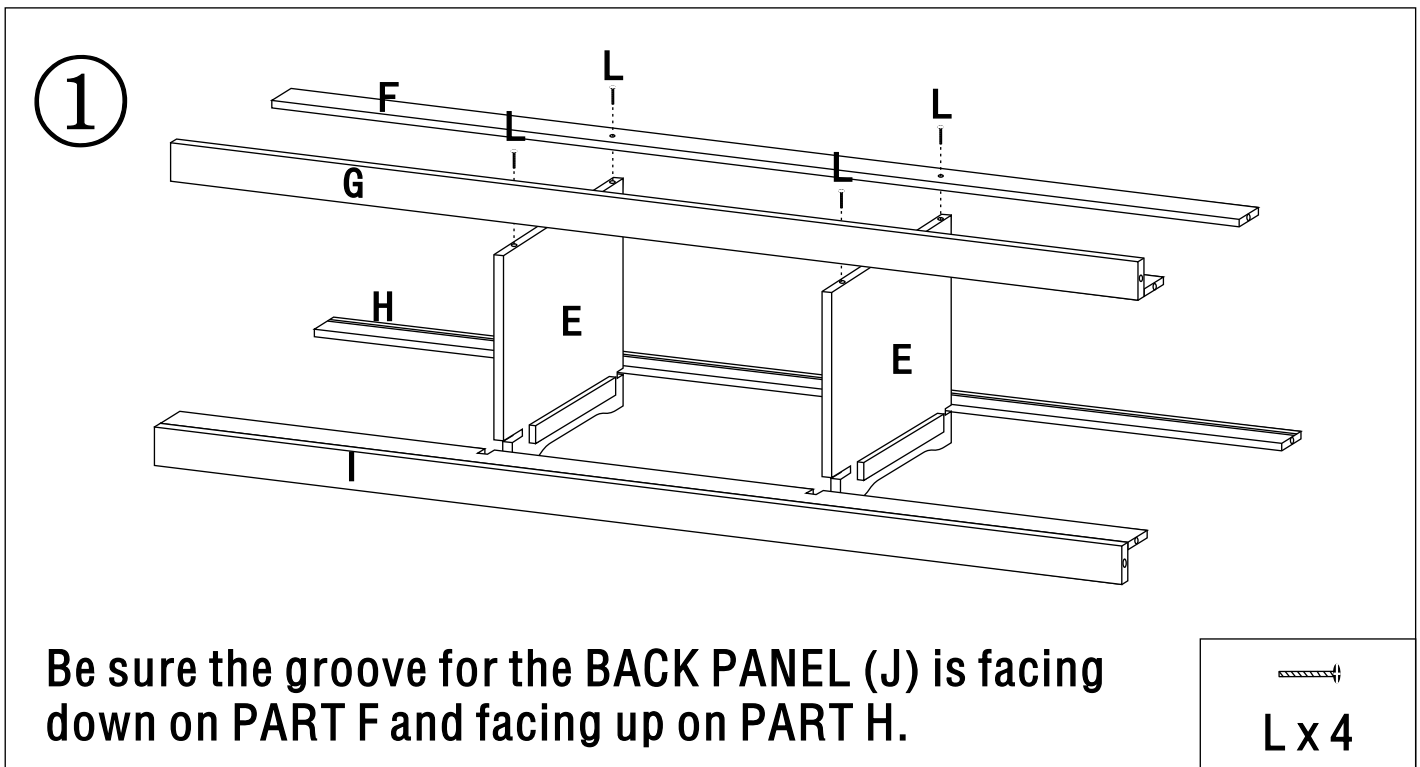
Keep instructions for future use. Use only the parts and hardware provided by Badger Basket. Do not use the product if it is damaged, broken, or missing parts. **DO NOT** allow anyone to stand on this product. It is not a step stool or ladder. **Periodically check** to make sure all the hardware remains tight.

No product is a replacement for adult supervision.

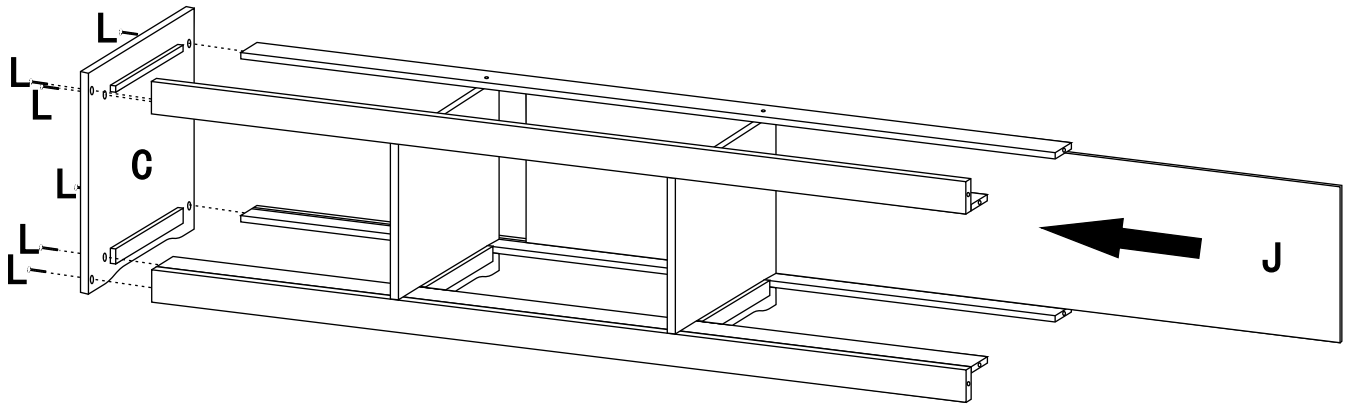
Parts List

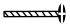
⊕ 
TOOL REQUIRED (NOT INCLUDED)

 BIN BODY A x 3	 BIN BOTTOM B x 3	 LEFT SIDE C x 1	 RIGHT SIDE D x 1	 DIVIDER E x 2
 UPPER REAR RAIL F x 1		 LOWER FRONT RAIL I x 1		 5x40mm BOLT L x 16
 UPPER FRONT RAIL G x 1		 BACK PANEL J x 1		 M x 3
 LOWER REAR RAIL H x 1		 CUSHION K x 1		 4x10mm SCREW N x 12

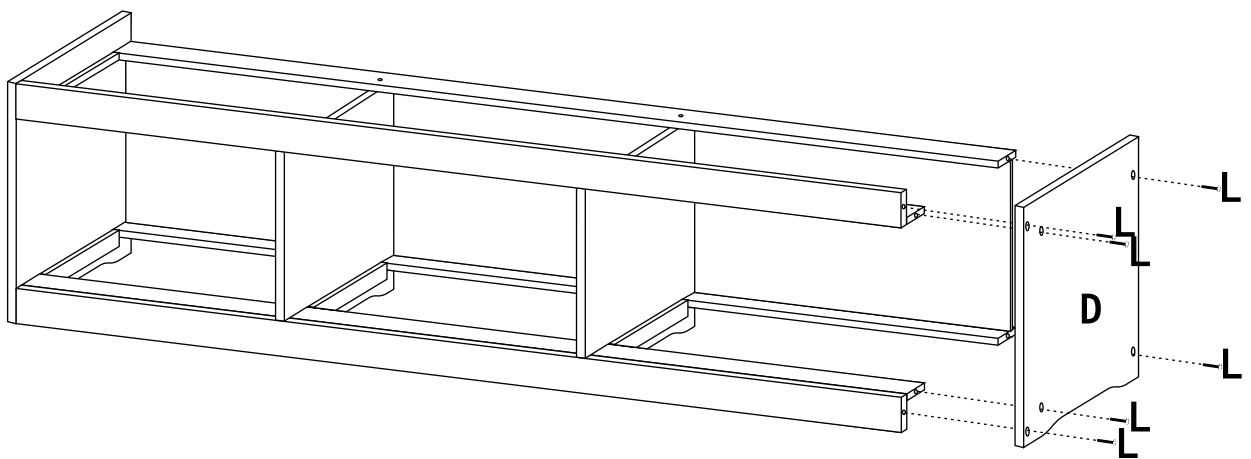


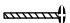
2



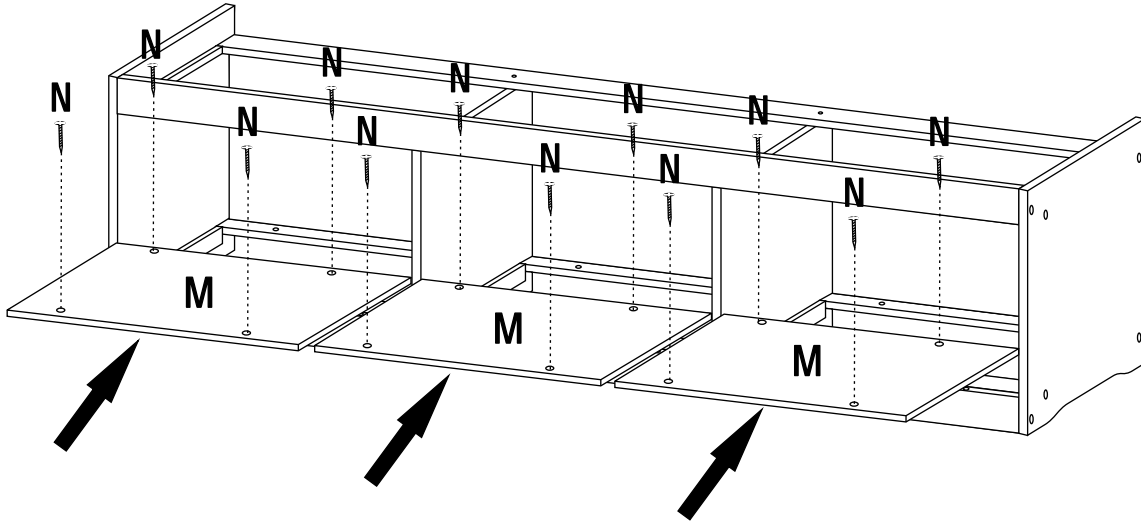

L x 6

3

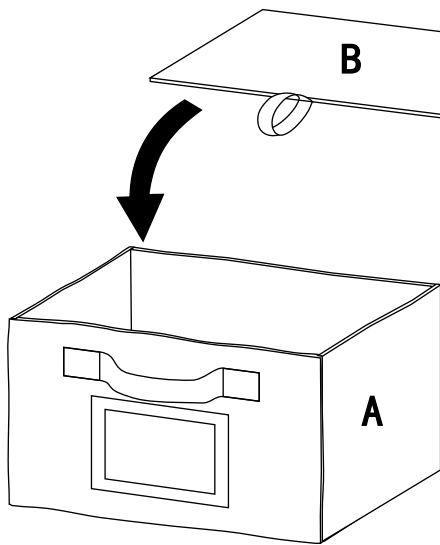



L x 6

④

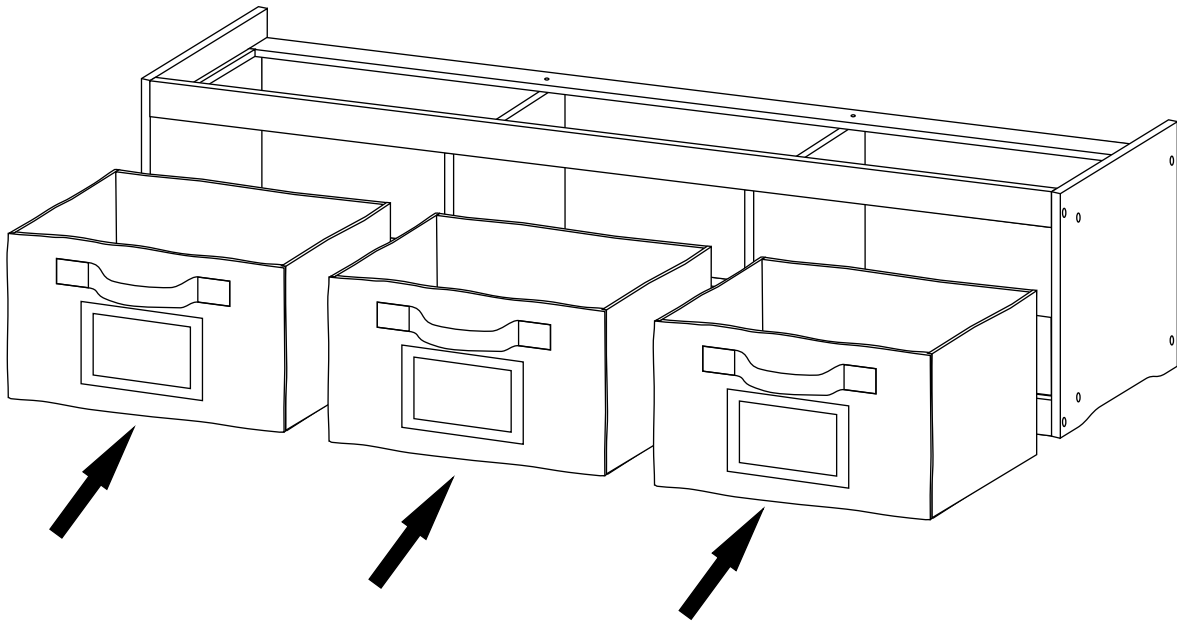


⑤



X 3

⑥



⑦

