



# LEISURE TWIN DOLL WAGON - GRAY/PINK

**Assembly Instructions. Adult Assembly Required.**

**Read all instructions before use.**

**This manual is part of the product and  
must be kept for future reference.**

**MODEL NUMBER\*:**

**67051**

**VERSION CODE\*:**

**1.0/0519/TG**

*\* Model and Version numbers are needed  
if replacement parts are requested*



Find us on  •  YouTube

**FOR REPLACEMENT PARTS:**  
<http://www.badgerbasket.com/parts>

Badger Basket®, PO Box 227, Edgar, WI 54426-0227 USA • **Web:** [www.badgerbasket.com](http://www.badgerbasket.com)  
**U.S. Based Customer Service Toll-Free** (Mon-Thurs 7:00 AM-4:00 PM CST): 1-800-236-1310  
**Phone:** 715-352-2311 • **Fax:** 715-352-3163



### **BEFORE YOU BEGIN ASSEMBLY:**

Check all parts. If anything is missing or not satisfactory, please **DO NOT** call the store or return the product to them. Please go online to:

**<http://www.badgerbasket.com/parts>**

Most problems are resolved without you needing to leave home.

When emailing or calling us, please have this instruction manual, your product model number, and your Version Code ready.

**Your Model Number is: 67051**

**Your Version Code is: 1.0/0519/TG**

### **CARE INSTRUCTIONS:**

Frame and attached fabrics can be spot and wiped clean with a damp cloth and mild soap and dry thoroughly. Removable fabric can be hand washed in cold water and mild detergent and allow to air dry.

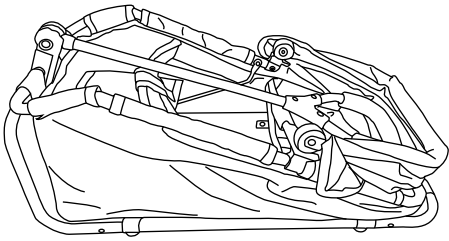


## **WARNING - CAUTION**

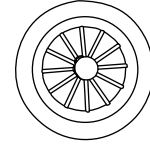
**READ ALL INSTRUCTIONS before use of this product.** Use only the parts provided by Badger Basket®. Keep instructions for future use. Do not use the product if it is damaged or broken. Periodically inspect the product to ensure all parts remain tight. **This item is a toy for dolls only. It is never to be used for real infants or pets. No product is a substitute for adult supervision. Always supervise your child during play.** For children ages three (3) years and older. Never sit on or stand on the toy. Never use the doll wagon unless the frame locks are properly secured.



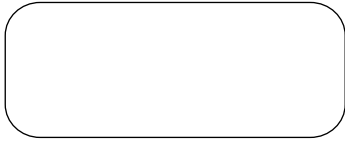
**ASSEMBLY TIP!** Review the entire manual before beginning.



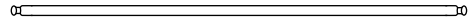
WAGON FRAME  
A



WHEEL  
B×4

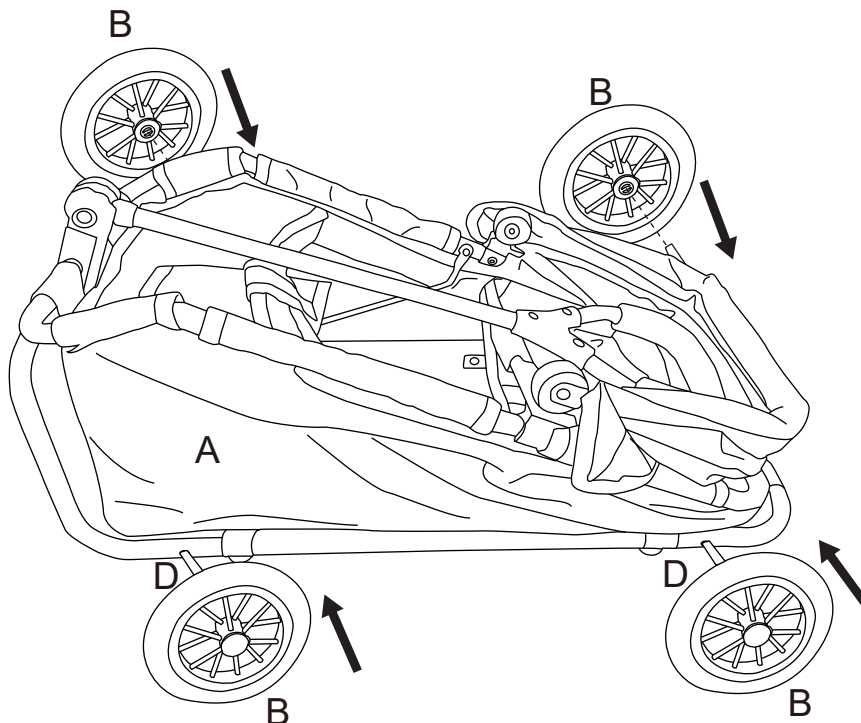


PAD  
C

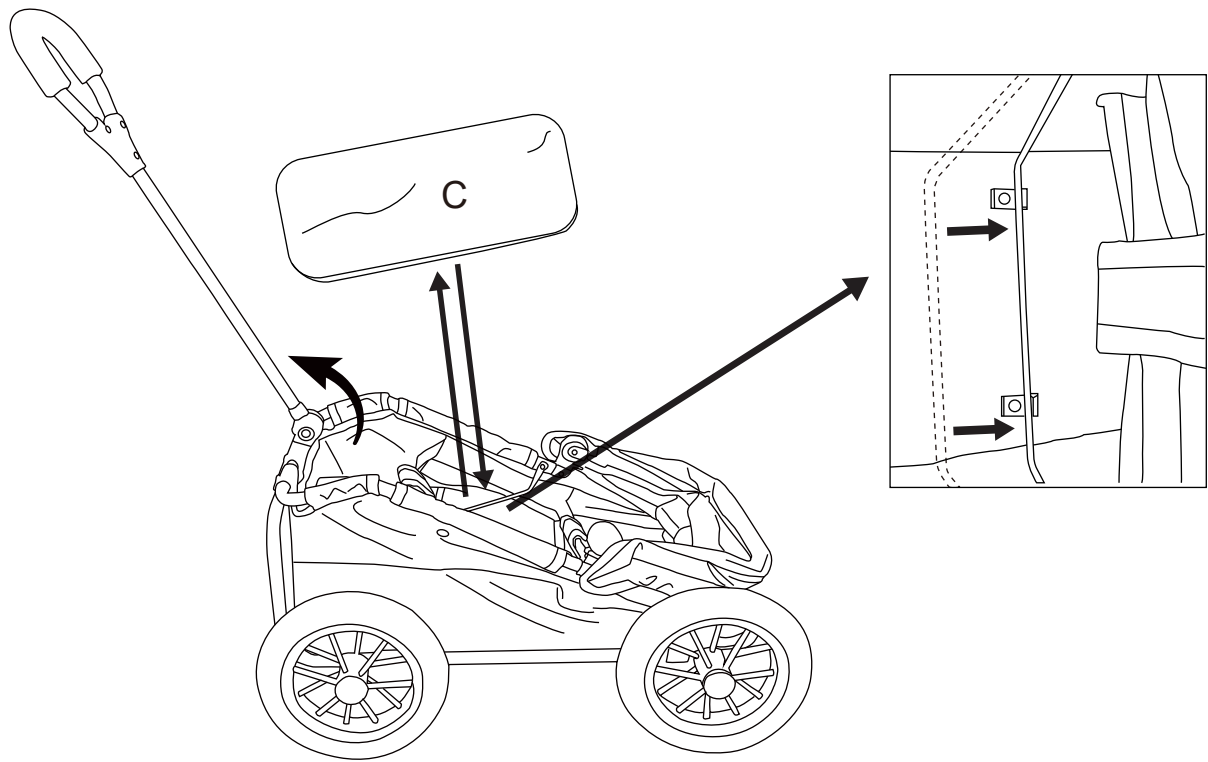


AXLE  
D×2

- 1 Insert the front and rear axles through the holes on the wagon leg posts.  
Snap the wheels onto the axles by squeezing the metal clips on the outside of the wheels, pushing the wheels onto the axles, and then releasing the clips so they lock over the ends of the axles. Gently tug on each wheel to make sure it's locked in place.



**2** snap bar into the clip to prop up the wagon



**3** unsnap and unzip to use the wagon without the seats in place

