



DOUBLE TROLLEY DOLL CARRIER WITH SLEEPING BAGS & PILLOWS

Assembly and Use Instructions.
Read all instructions before use.
This manual is part of the product and
must be saved for future reference.



MODEL NUMBER*:
14965

VERSION CODE*:
1.0/0414/TG

** Model and Version numbers are needed if
replacement parts are requested*



FOR REPLACEMENT PARTS:

Go to our web site: <http://www.badgerbasket.com/parts>
Or scan QR code at right with your smartphone





BEFORE YOU BEGIN ASSEMBLY:

Check all parts. If anything is missing or not satisfactory, please **DO NOT** call the store or return the product to them. Please go online to:

<http://www.badgerbasket.com/parts>

Most problems are resolved without you needing to leave home.

When emailing or calling us, please have this instruction manual, your product model number, and your Version Code ready.

Your Model Number is: 14965

Your Version Code is: 1.0/0414/TG

CARE INSTRUCTIONS:

Spot clean travel case as needed with cold water, a damp cloth, and mild detergent. Allow to Air Dry. Do not heavily soak nor immerse in water. Hand wash the sleeping bags and pillows in cold water with mild detergent and allow to air dry. Do not store the Travel Case where it is below freezing temperatures because it may damage the clear PVC vinyl window.



WARNING - CAUTION

READ ALL INSTRUCTIONS before use of this product. Use only the parts provided by Badger Basket. Keep instructions for future use. Do not use the product if it is damaged or broken. This item is a toy only. For children ages three (3) years and older. **No product is a substitute for adult supervision.**

Always supervise your child during play. Carrier, sleeping bags, and pillows are for dolls only. Not for use with real infants or pets. **Never put an infant or animal inside the travel case.** When zipping/unzipping, make sure that long hair, loose clothing, etc. are not caught in the zipper's path.

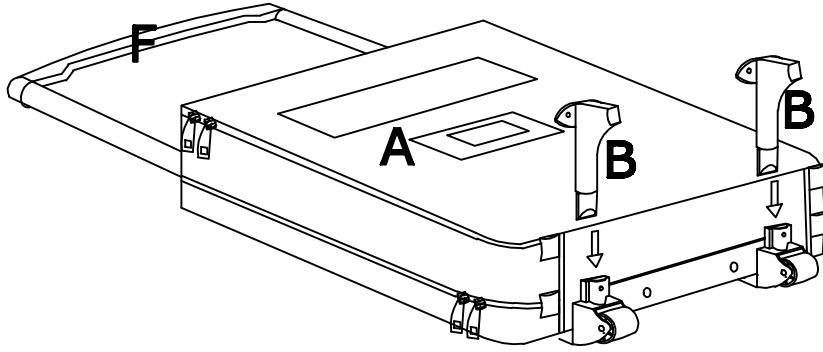
Badger Basket Company, PO Box 227, Edgar, WI 54426-0227 USA

Toll-Free: 1-800-236-1310 (Mon-Thurs 7:00 AM-4:00 PM CST)

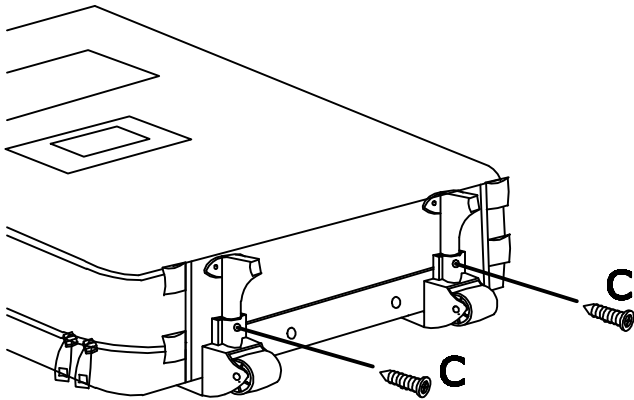
Phone: 715-352-2311 • Fax: 715-352-3163

1

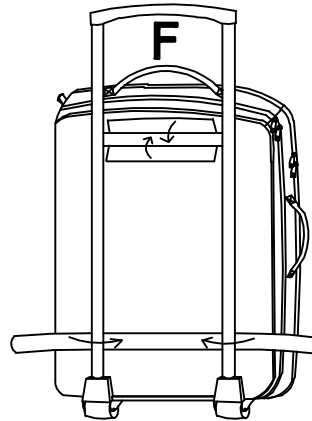
PARTS INCLUDED:
A x 1 - TRAVEL CASE
B x 2 - TROLLEY FEET
C x 2 - SCREWS
D x 2 - SLEEPING BAGS
E x 2 - PILLOWS
F x 1 - TROLLEY FRAME



2



3



Follow this step for detaching the TRAVEL CASE (A) from the TROLLEY FRAME (F) and re-attaching it.

4

