



Flat Bench Top Toy and Storage Box

Assembly Instructions. Adult Assembly Required.
Read all instructions before use. This manual is part of the product and must be kept for future reference.

MODEL NUMBER*:

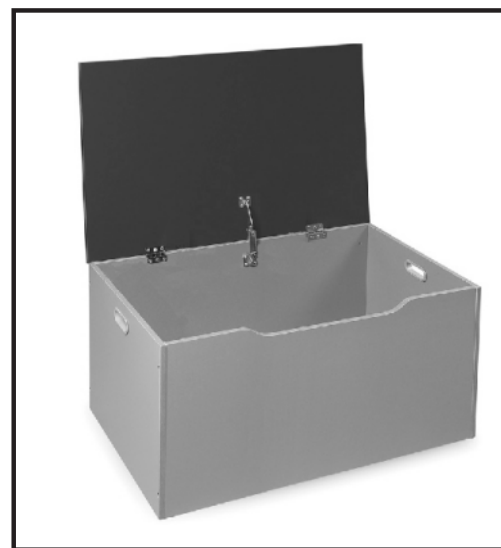
13631 - Gray

13632 - White

VERSION CODE*:

4.0/0126/VN

** Model and Version numbers are needed
if replacement parts are requested*



Find us on  •  **YouTube** *assembly video available at Badger Basket's YouTube channel!*

FOR REPLACEMENT PARTS:
<http://www.badgerbasket.com/parts>

Badger Basket®, PO Box 227, Edgar, WI 54426-0227 USA • **Web:** www.badgerbasket.com
U.S. Based Customer Service Toll-Free (Mon-Thurs 7:00 AM-4:00 PM CST): 1-800-236-1310
Phone: 715-352-2311 • **Fax:** 715-352-3163



BEFORE YOU BEGIN ASSEMBLY:

Check all parts. If anything is missing or not satisfactory, please DO NOT call the store or return the product to them. Please go online to:

<http://www.badgerbasket.com/parts>

Most problems are resolved without you needing to leave home.

When emailing or calling us, please have this instruction manual, your product model number, and your Version Code ready.

Your Model Number is: SEE COVER PAGE

Your Version Code is: 4.0/0126/VN

CARE INSTRUCTIONS:

To clean, wipe with a damp cloth and mild detergent as needed. Periodically check all of the hardware to make sure it remains tight.



WARNING - CAUTION

ADULT ASSEMBLY REQUIRED. DUE TO THE PRESENCE OF SMALL PARTS AND SHARP POINTS DURING ASSEMBLY, KEEP OUT OF REACH OF CHILDREN UNTIL ASSEMBLY IS COMPLETE.

READ ALL INSTRUCTIONS before use of this product. Keep instructions for future use. Use only the parts and hardware provided by Badger Basket®. Do not use the product if it is damaged, broken, or missing parts. Hardware may include small parts.

Choking Hazard! Keep unassembled parts out of the reach of small children. **DO NOT** allow anyone to climb, stand on, or play on or inside of this product. It is not a step stool or ladder. **Periodically check** to make sure all the screws remain tight. No product is a replacement for adult supervision. **SAFETY HINGE LID SUPPORT MUST BE INSTALLED PROPERLY. If not installed or if installed improperly, the LID could free fall and slam shut unexpectedly causing serious injury. The SAFETY HINGE LID SUPPORT has been installed properly if the LID remains open when unattended.**

No maintenance or lubrication of the SAFETY HINGE LID SUPPORT is required.

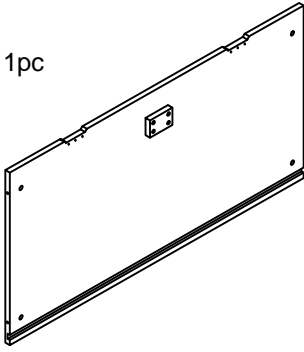
Some soft plastic/rubber toys (such as balls) can react with and cause damage to the finish when left in prolonged contact. Be mindful of what is stored in the unit and regularly check toys and the unit to prevent damage.



ASSEMBLY TIPS! Review the entire manual before beginning. Leave hardware slightly loose during assembly and then go back and tighten fully at the end. If using a power screwdriver, keep torque setting low and go slow to prevent damage to the product.

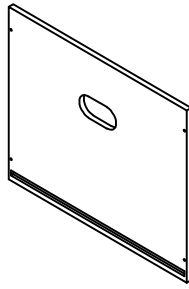
A

Back - 1pc



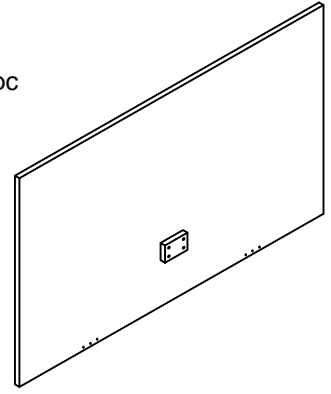
B

Side - 2pcs



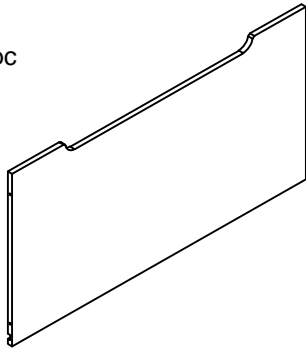
C

Lid-1pc



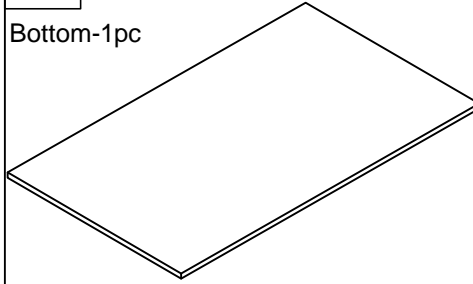
D

Front-1pc



E

Bottom-1pc



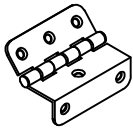
F

Safety Hinge Lid Support - 1pc



G

Small Hinge - 2pcs



H

Long Screws M4 x 40mm-8pcs



I

Short Screws M3.5 x 20 mm - 10pcs



J

Short Screws M3 x 12mm - 10pcs



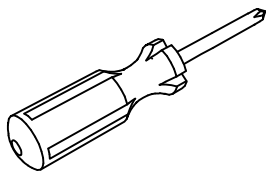
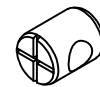
K

Short Screws M3.5 x 20mm - 2pcs



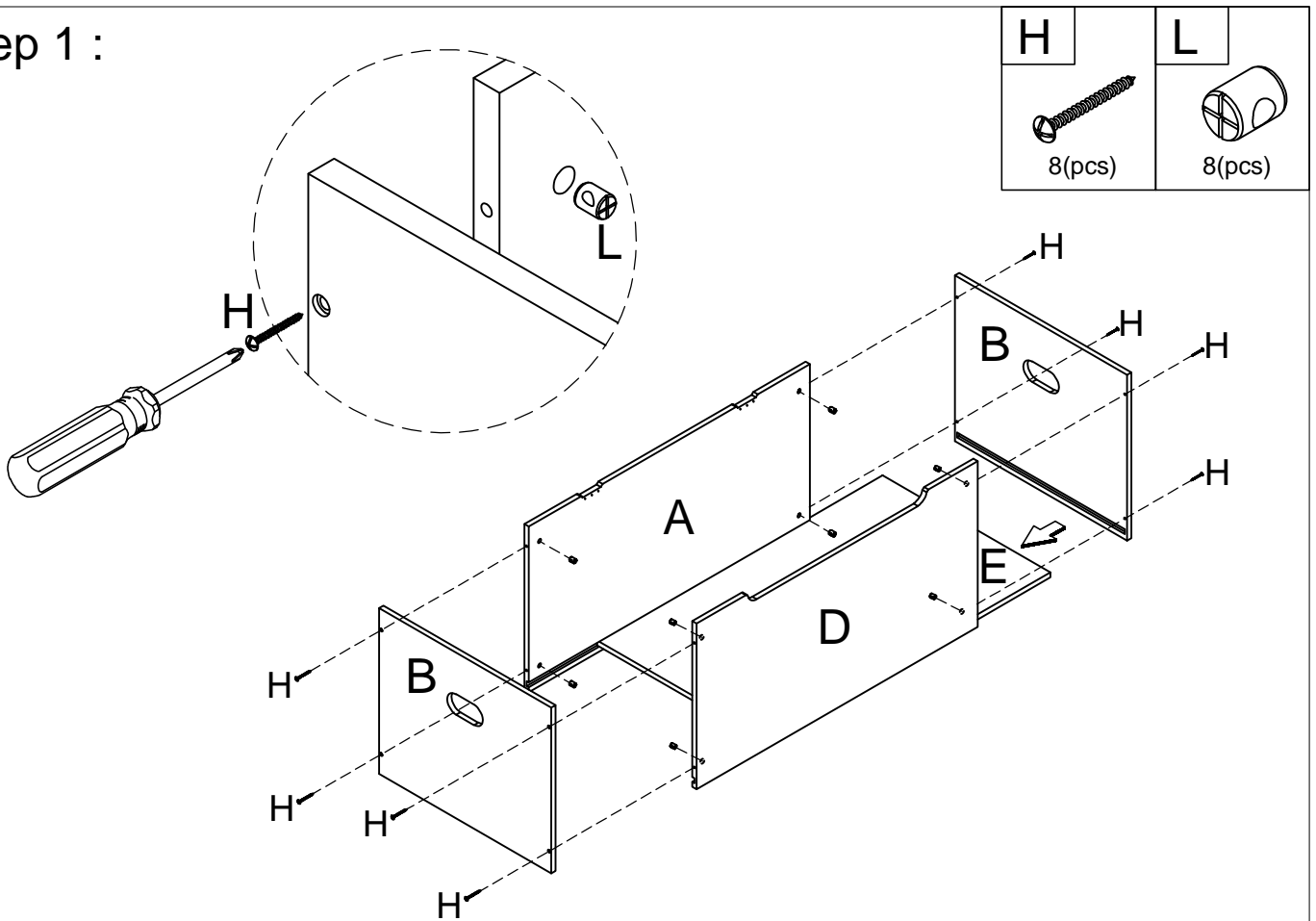
L

Plastic Inserts - 8pcs

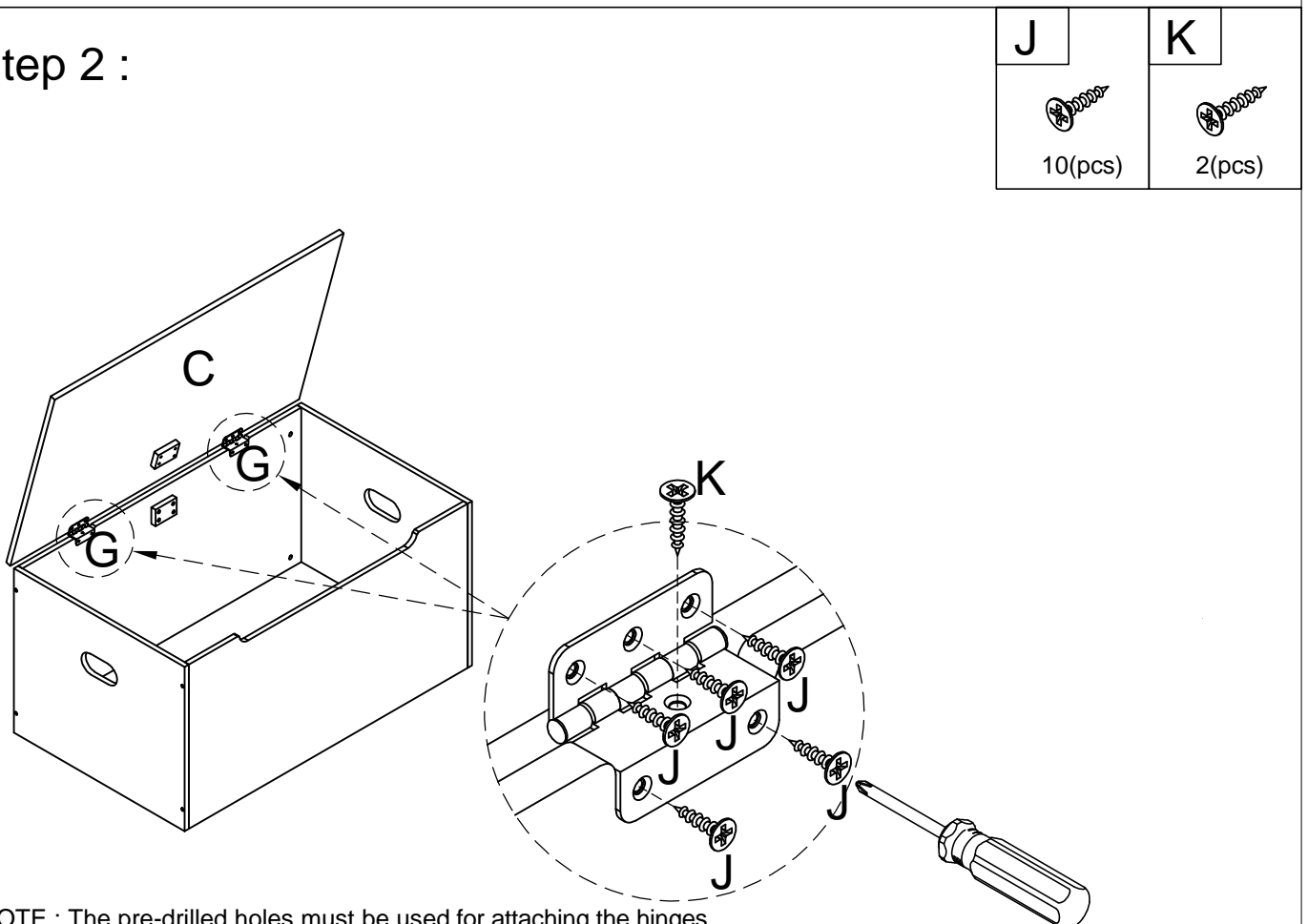


Assembly Tools Required
(Not Included)

Step 1 :



Step 2 :



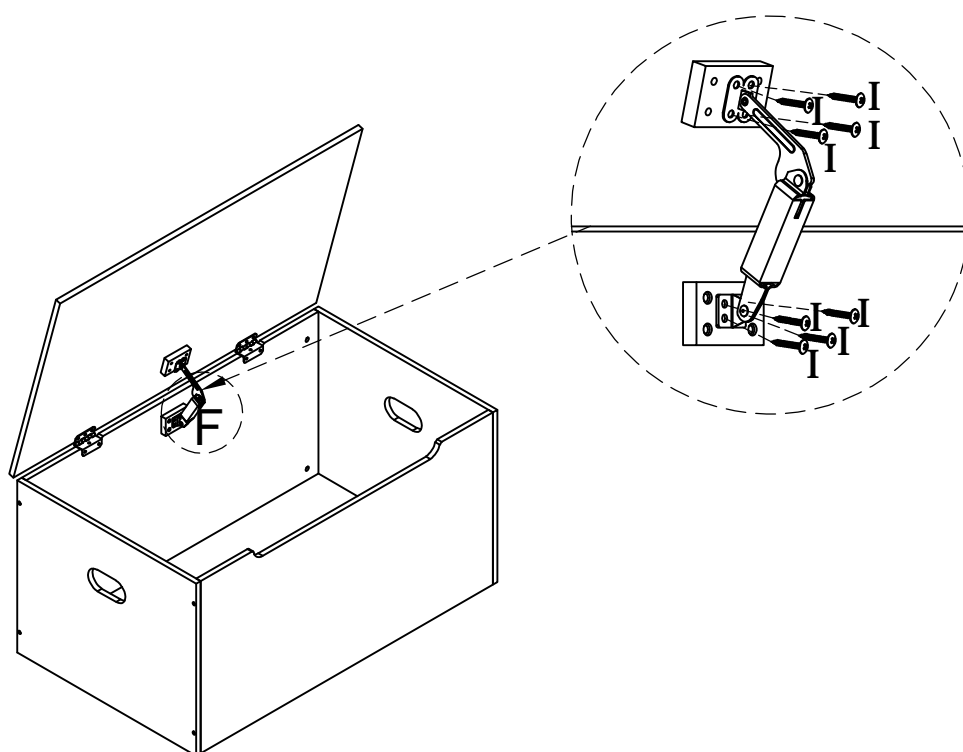
NOTE : The pre-drilled holes must be used for attaching the hinges.
Do not attach in any other position or create your own holes.

Step 3 :

I



8(pcs)



Finished :

