



# Three Bin Storage Cubby

**MODEL NUMBER:**

**09778 - WHITE**

**Assembly Instructions. Adult Assembly Required.  
Read all instructions before use.  
This manual is part of the product and  
must be kept for future reference.**



**VERSION CODE\*:**  
**6.0/0621/WL**

*\* These numbers are needed if  
replacement parts are requested*

*NOTE: Three Bin models can be  
stacked/used with Two Bin Models  
and/or Shelf Cubby with Three Basket Models  
(each sold separately - refer to our web site  
for additional colors/models available).*

Find us on  •  YouTube • 

*Assembly Videos available on YouTube*

**FOR REPLACEMENT PARTS:**  
**<http://www.badgerbasket.com/parts>**

Badger Basket®, PO Box 227, Edgar, WI 54426-0227 USA • **Web:** [www.badgerbasket.com](http://www.badgerbasket.com)  
**U.S. Based Customer Service Toll-Free** (Mon-Thurs 7:00 AM-4:00 PM CST): 1-800-236-1310  
**Phone:** 715-352-2311 • **Fax:** 715-352-3163



## BEFORE YOU BEGIN ASSEMBLY:

Check all parts. If anything is missing or not satisfactory, please **DO NOT** call the store or return the product to them. Please go online to:

<http://www.badgerbasket.com/parts>

Most problems are resolved without you needing to leave home.

When emailing or calling us, please have this instruction manual, your product model number, and your Version Code ready.

**Your Model Number is: 09778**

**Your Version Code is: 6.0/0621/WL**

### USE AND CARE INSTRUCTIONS:

Wipe storage unit clean with a damp cloth and mild soap as needed. Dry thoroughly.

Do not use acidic cleaners (such as vinegar). Spot clean baskets as needed.

Some soft plastic/rubber toys (such as balls) can react with and cause damage to the finish when left in prolonged contact.

Be mindful of what is stored in the unit and regularly check toys and the unit to prevent damage.



## WARNING

ADULT ASSEMBLY REQUIRED

DUE TO THE PRESENCE OF SMALL PARTS AND SHARP POINTS DURING ASSEMBLY, KEEP OUT OF REACH OF CHILDREN UNTIL ASSEMBLY IS COMPLETE.



**WARNING - FAILURE TO FOLLOW THESE WARNINGS AND THE INSTRUCTIONS COULD RESULT IN SERIOUS INJURY OR DEATH**

**READ ALL INSTRUCTIONS** before use of this product.

Keep instructions for future use. Use only the parts and hardware provided by Badger Basket®. Do not use the product if it is damaged, broken, or missing parts. **DO NOT** allow anyone to climb, sit on, stand on, or play on or inside of this product. It is not a seat, step stool, or ladder. **Periodically check** to make sure all the hardware remains tight. No product is a replacement for adult supervision.

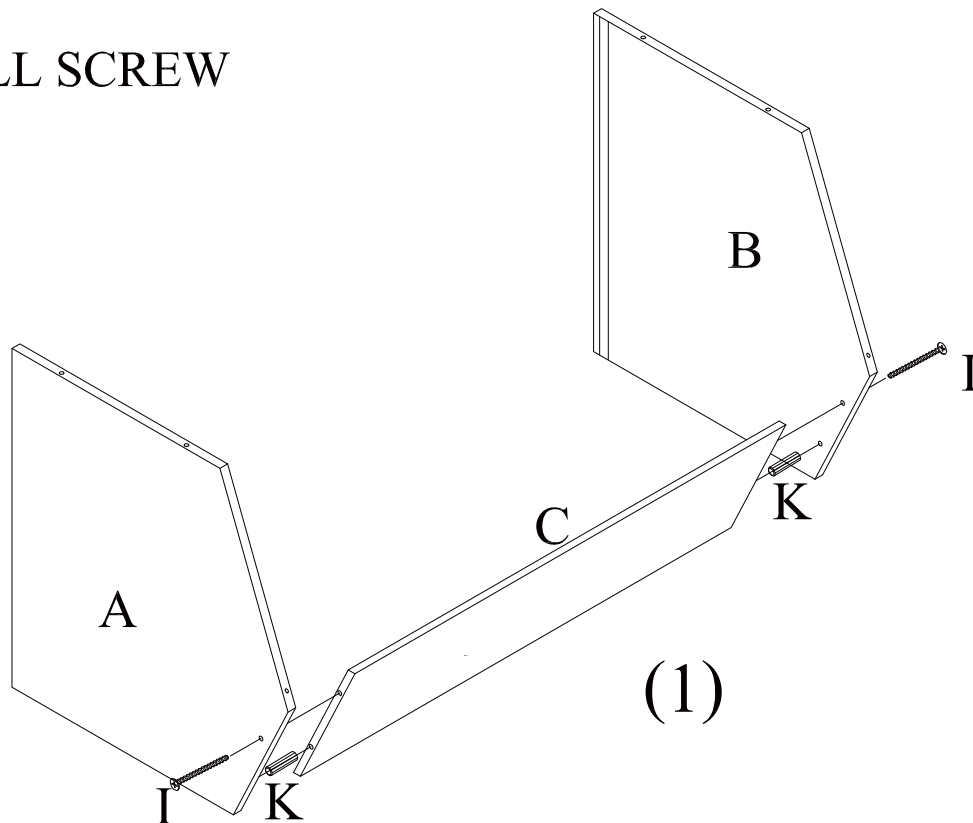


**ASSEMBLY TIPS!** Review the entire manual before beginning. Leave hardware slightly loose during assembly and then go back and tighten fully at the end. If using a power screwdriver, keep torque setting low and go slow to prevent damage to the product.

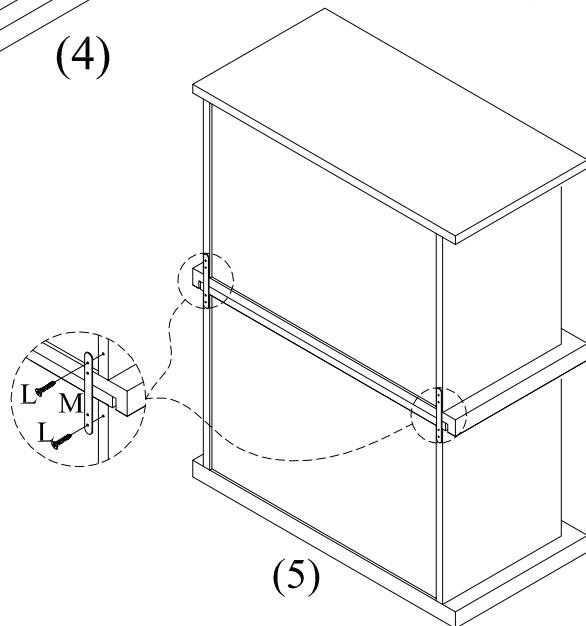
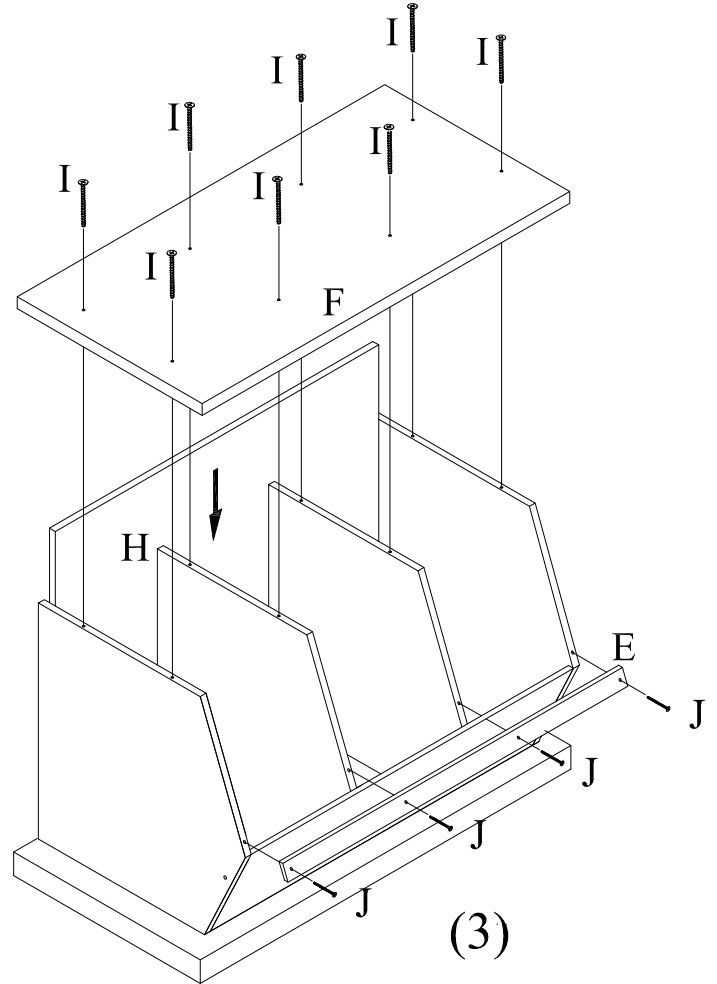
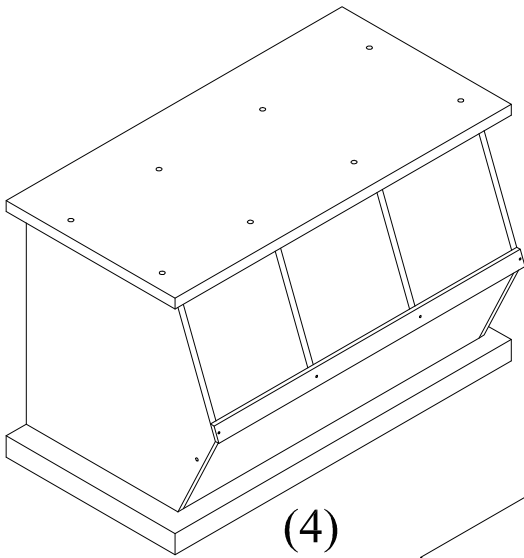
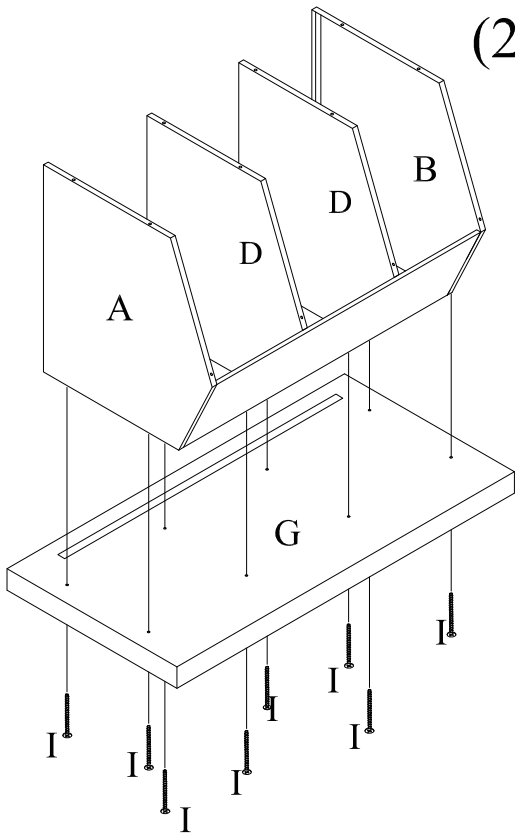
A	B	C	D	E	F	G	H	I	J	K	L	M	TOOL NEEDED
													PHILLIPS SCREW DRIVER
1PC	1PC	1PC	2PC	1PC	1PC	1PC	1PC	5*50mm 18PCS	4*30mm 4PCS	6*30mm 2PCS	2*10mm 4PCS	2PCS	NOT INCLUDED

- A - LEFT
- B - RIGHT
- C - FRONT
- D - MIDDLE
- E - FRONT TRIM
- F - TOP
- G - BOTTOM
- H - BACK
- I - LARGE SCREW
- J - MEDIUM SCREW
- K - PEG
- L - SMALL SCREW

M - The bracket is optional and is used to attach your Three Bin Storage Cubby to another storage cubby if needed (cubbies are each sold separately). Refer to the safety information on Page 2 and also Diagram 5.



(2) NOTE: MAKE SURE THAT THE GROOVES ON PARTS (A), (B), AND (G) LINE UP BEFORE YOU TIGHTEN THE SCREWS. THE GROOVES MUST LINE UP SO THAT THE BACK (H) WILL FIT AND THE TOP (F) WILL ATTACH PROPERLY IN STEP 3.



THIS STEP IS OPTIONAL AND IS USED IF YOU PURCHASED MULTIPLE BINS (EACH SOLD SEPARATELY) AND MUST ATTACH THEM TOGETHER. REFER TO THE SAFETY INFORMATION ON PAGE 2.